

Austro-Hungarian Light Cruiser, 1914

SAIDA

Легкий крейсер
Австро-Венгрия, 1914

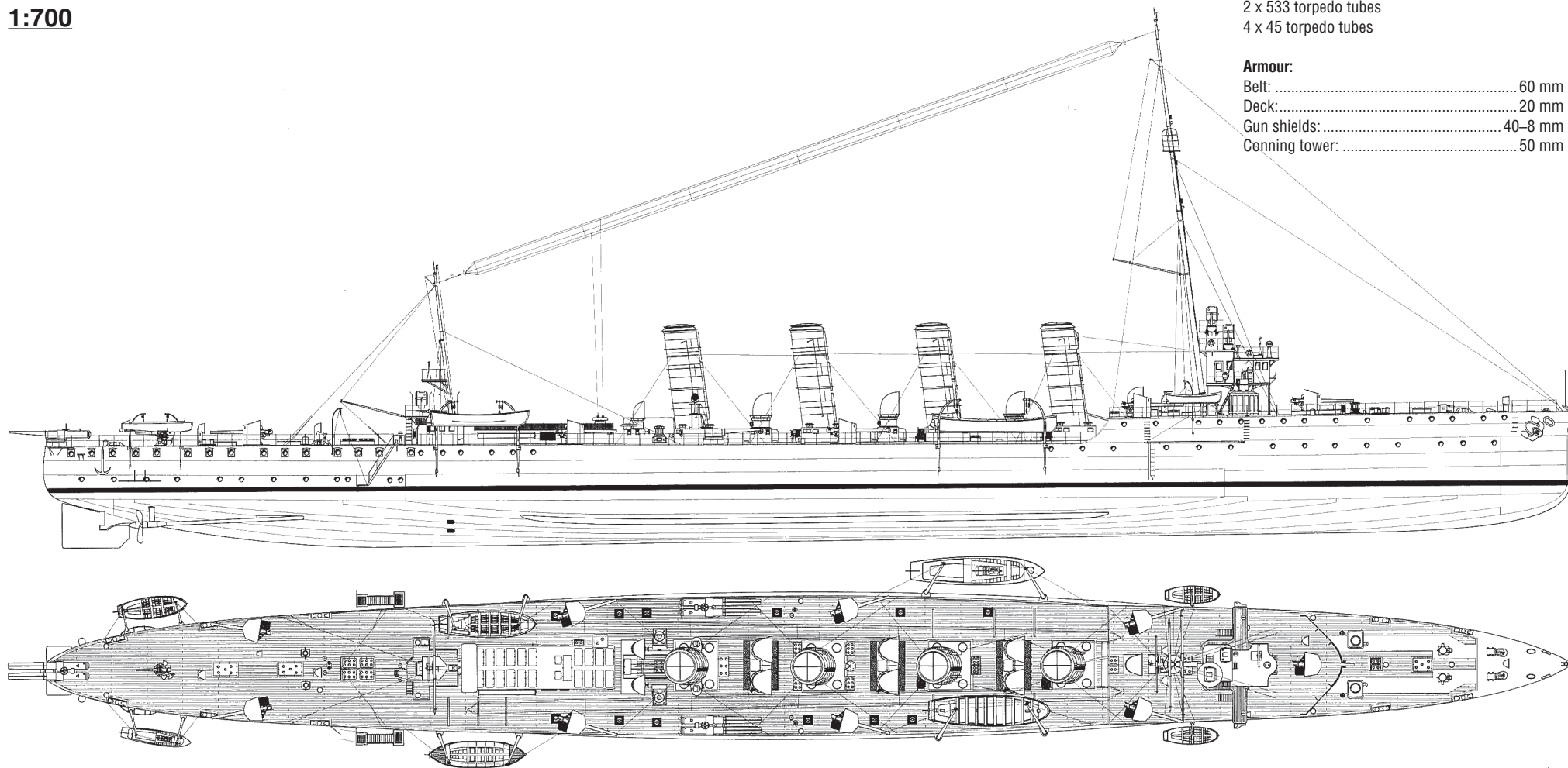
1:700

Displacement:
..... 3,500 tons
Length:..... 130.6 m
Beam:..... 12.77 m
Draught:..... 4,95-5,3 m
Installed power:..... 30,178 ihp

Propulsion:
3 shafts, 3 Vertical triple-expansion steam engines;
30 Belleville boilers.
Speed:.....27 knots
Range:.....1,600 nmi at 24 knots
Complement:..... 340

Armament:
9 x 100 mm guns
2 x 533 torpedo tubes
4 x 45 torpedo tubes

Armour:
Belt: 60 mm
Deck: 20 mm
Gun shields: 40-8 mm
Conning tower: 50 mm

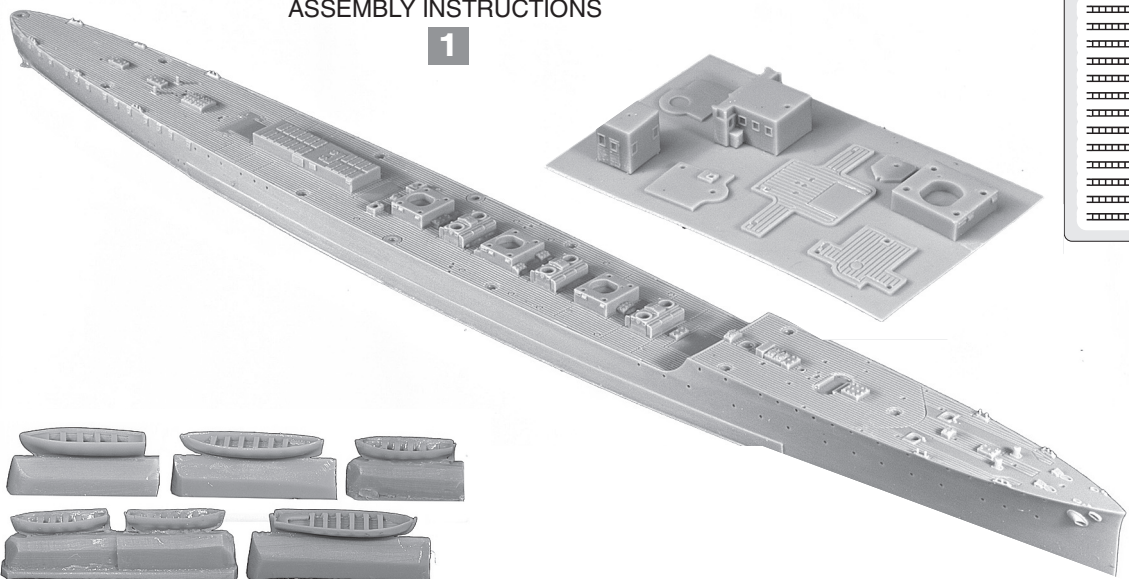


70485 For more info on Combrig kits see: www.combrig-models.com www.steelnavy.net www.modelwarships.com

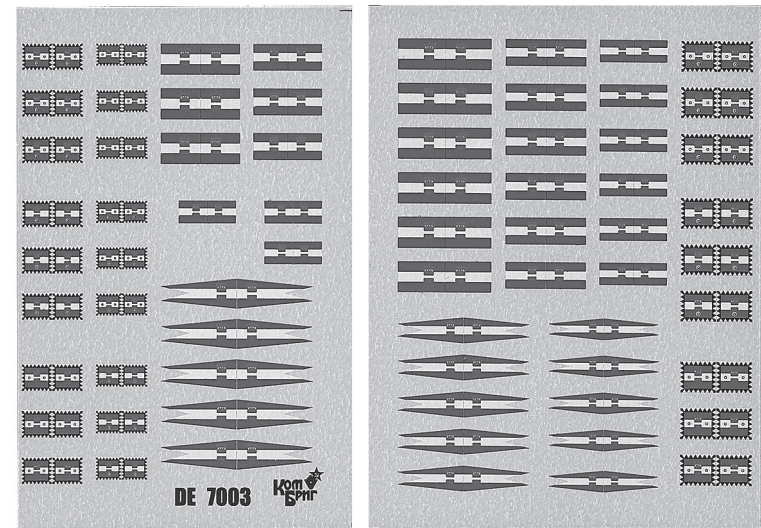
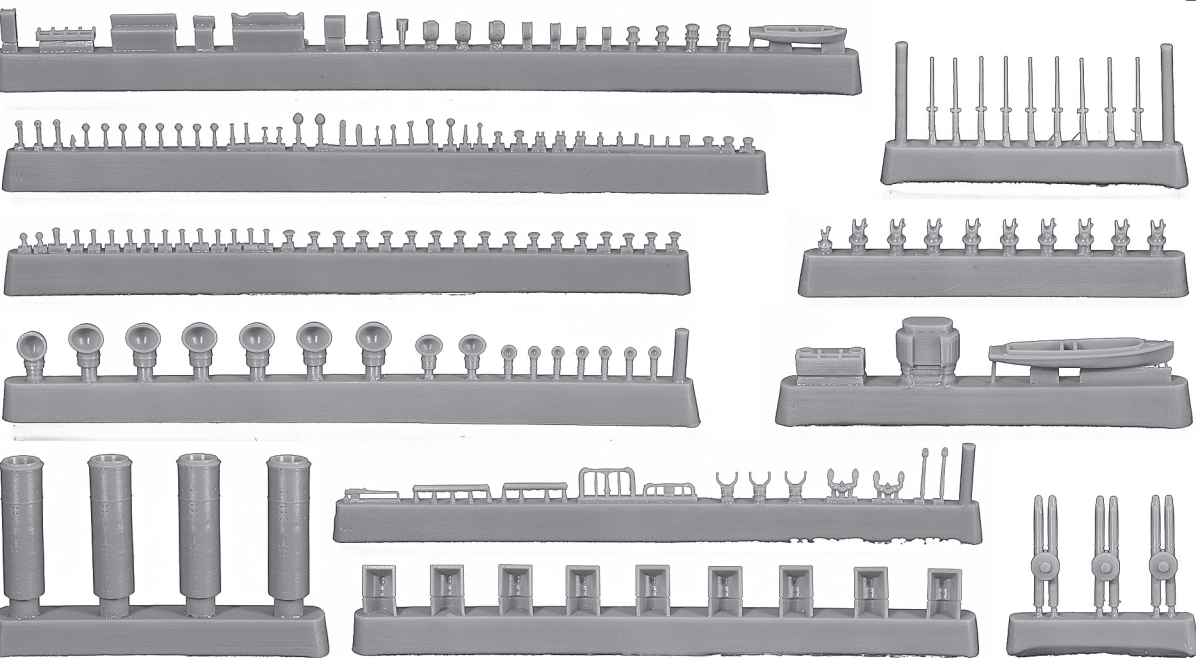
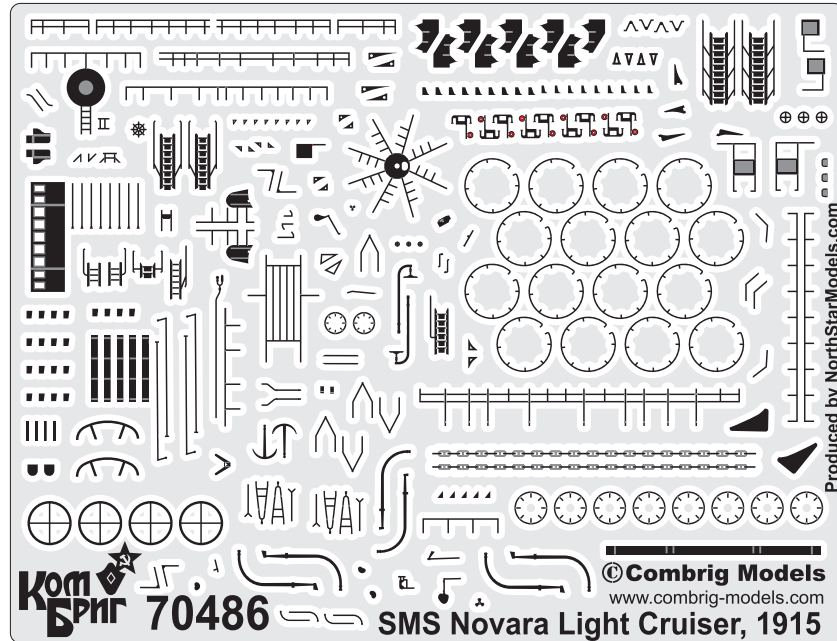


СХЕМА СБОРКИ МОДЕЛИ
ASSEMBLY INSTRUCTIONS

1



70486 Plate2



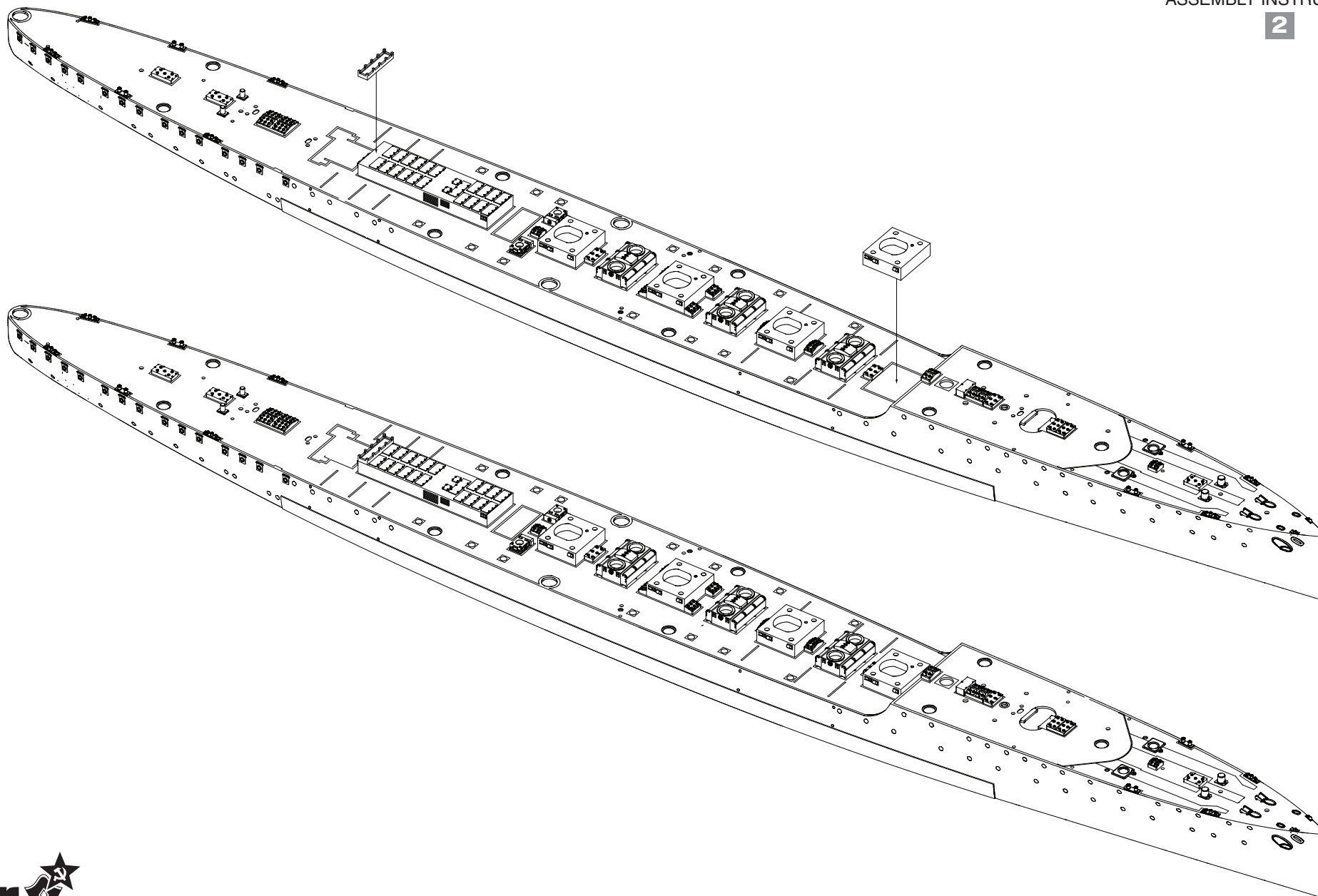


СХЕМА СБОРКИ МОДЕЛИ
ASSEMBLY INSTRUCTIONS

3

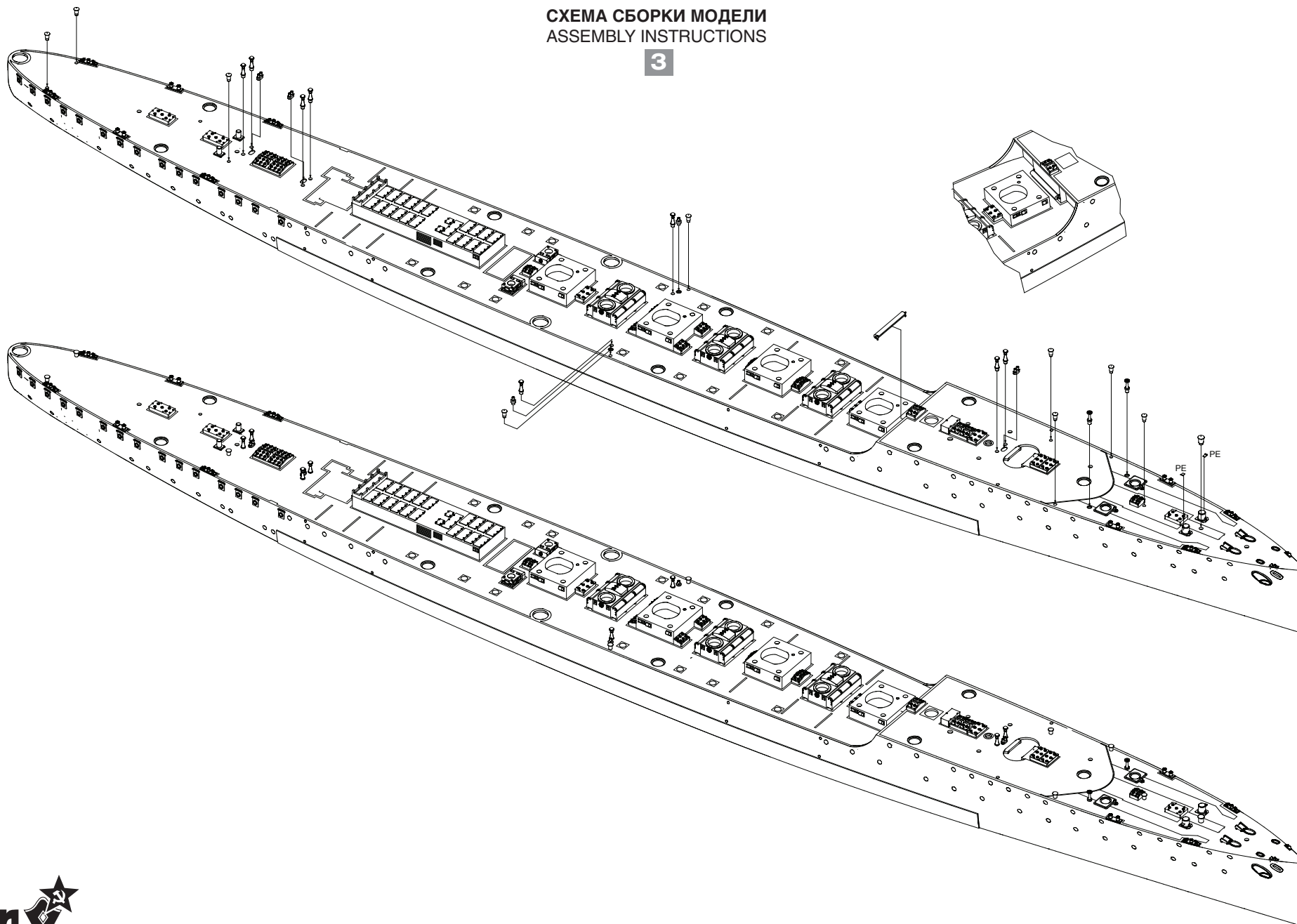


СХЕМА СБОРКИ МОДЕЛИ
ASSEMBLY INSTRUCTIONS

4

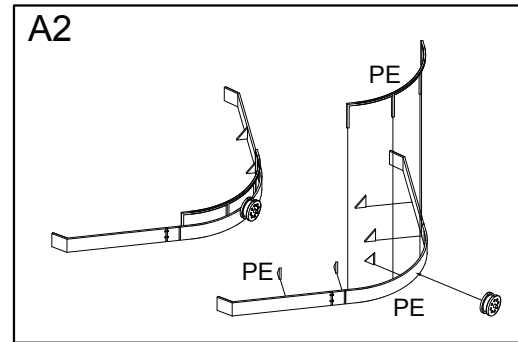
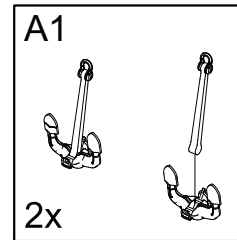
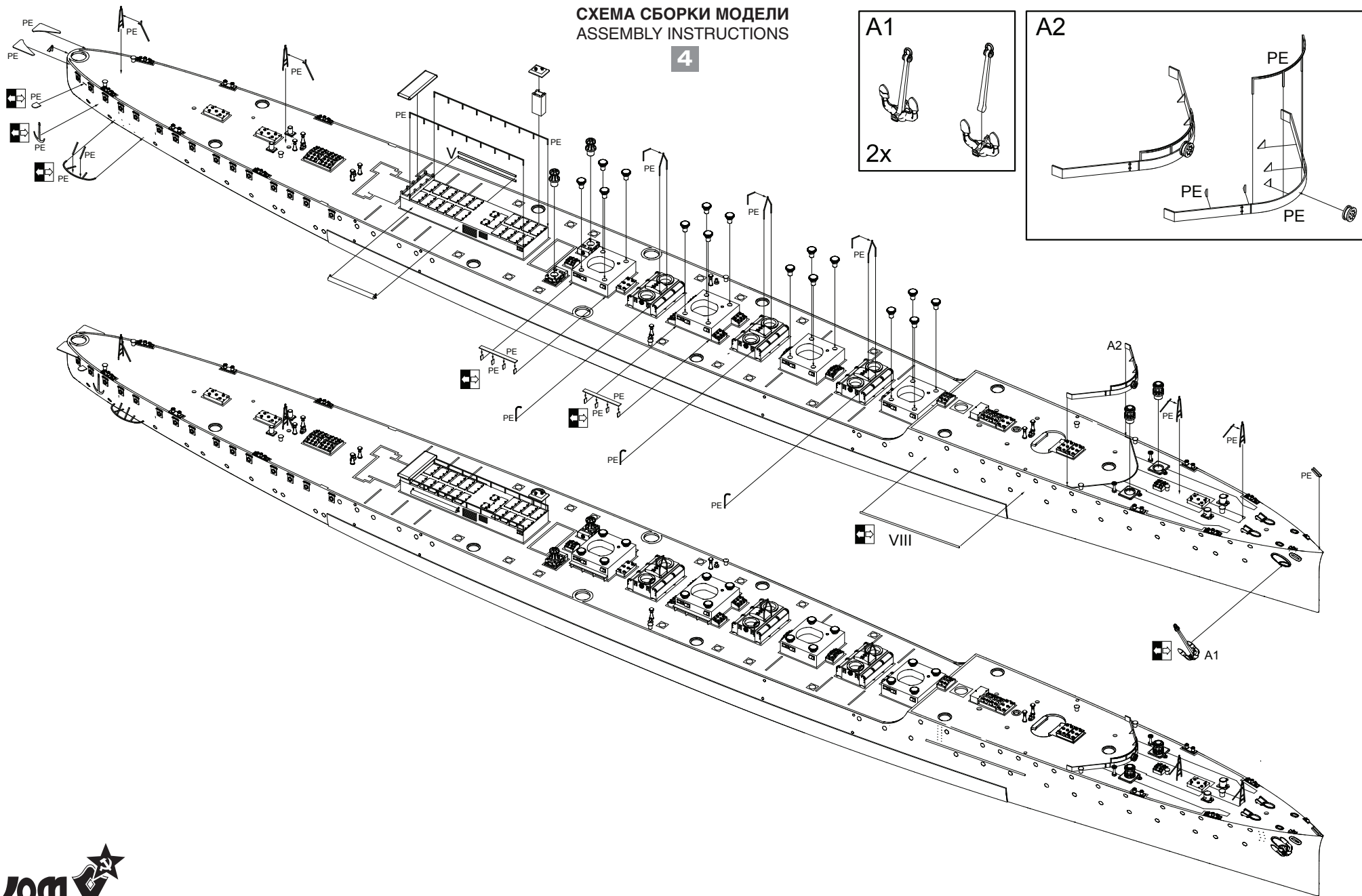
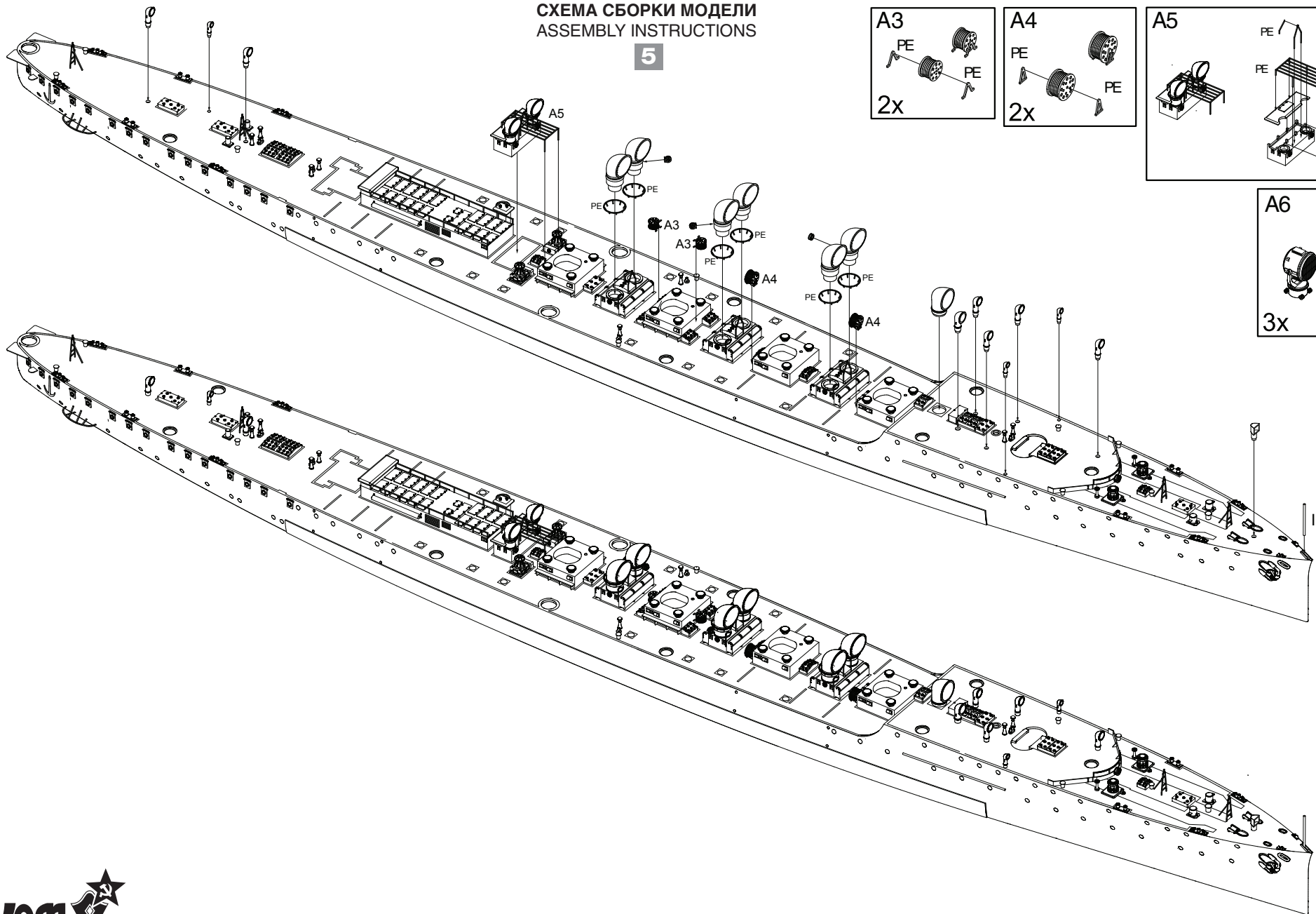
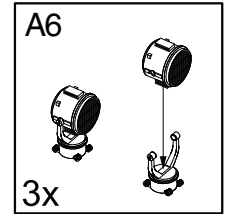
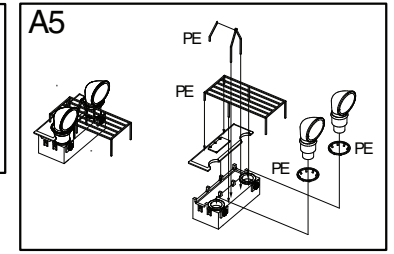
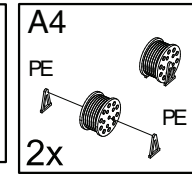
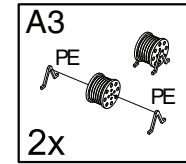


СХЕМА СБОРКИ МОДЕЛИ
ASSEMBLY INSTRUCTIONS

5



A7

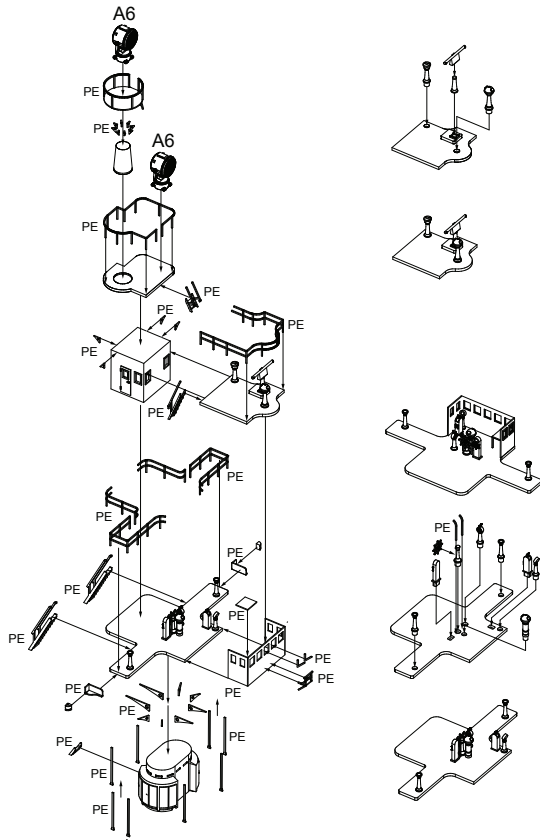
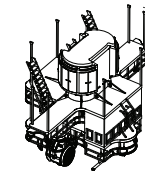
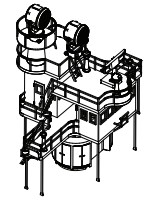
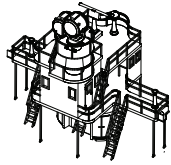
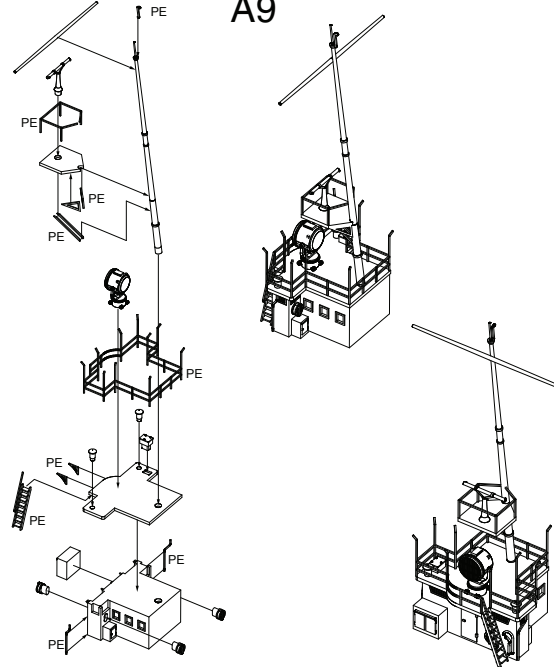


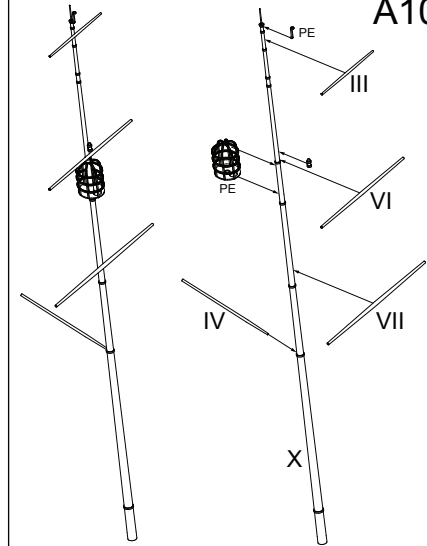
СХЕМА СБОРКИ МОДЕЛИ
ASSEMBLY INSTRUCTIONS

6

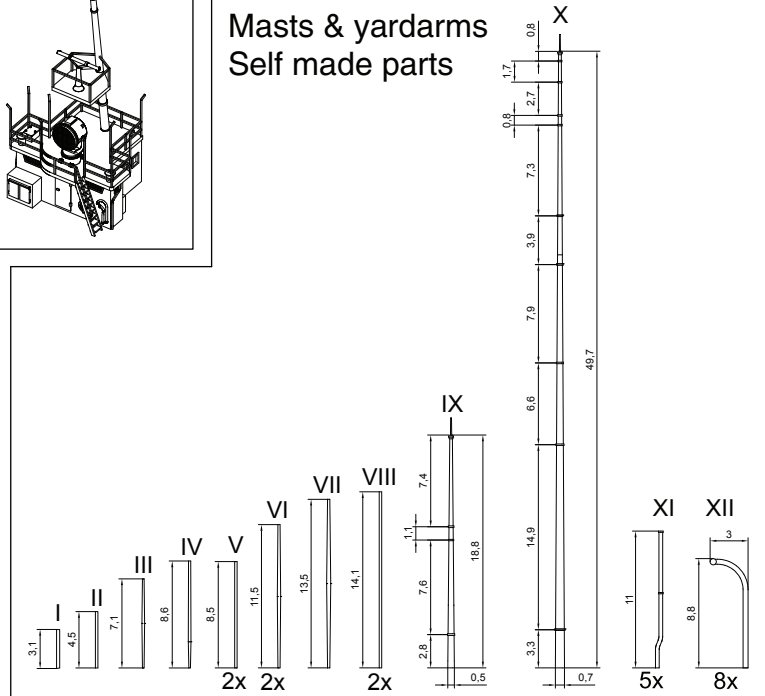
A9



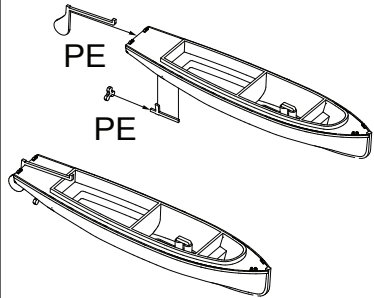
A10



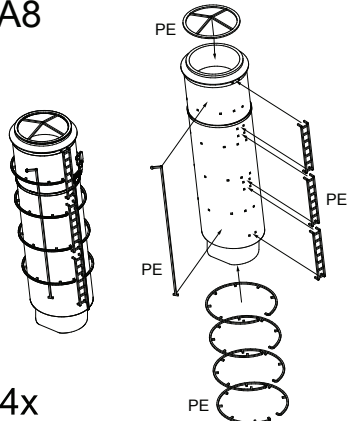
Masts & yardarms
Self made parts



A17



A8



A16

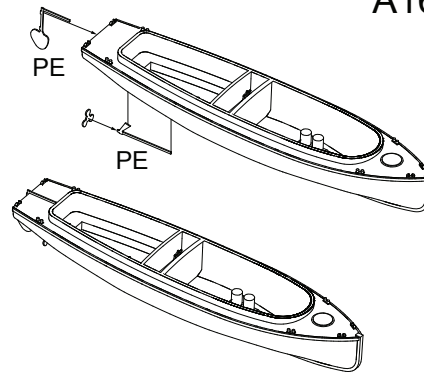
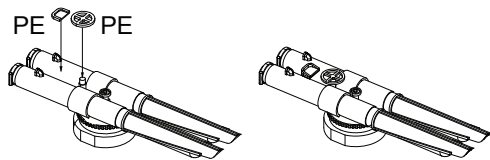


СХЕМА СБОРКИ МОДЕЛИ
ASSEMBLY INSTRUCTIONS

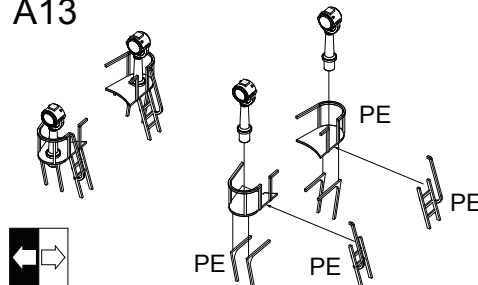
7

A14

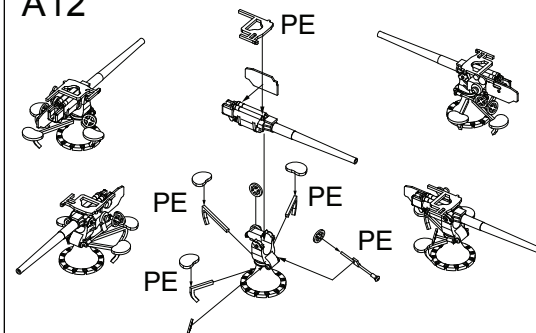


3x

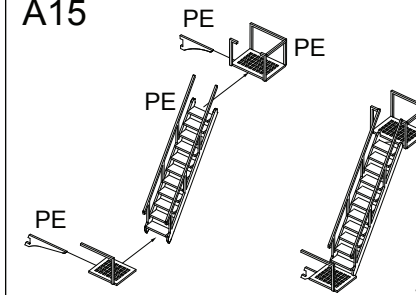
A13



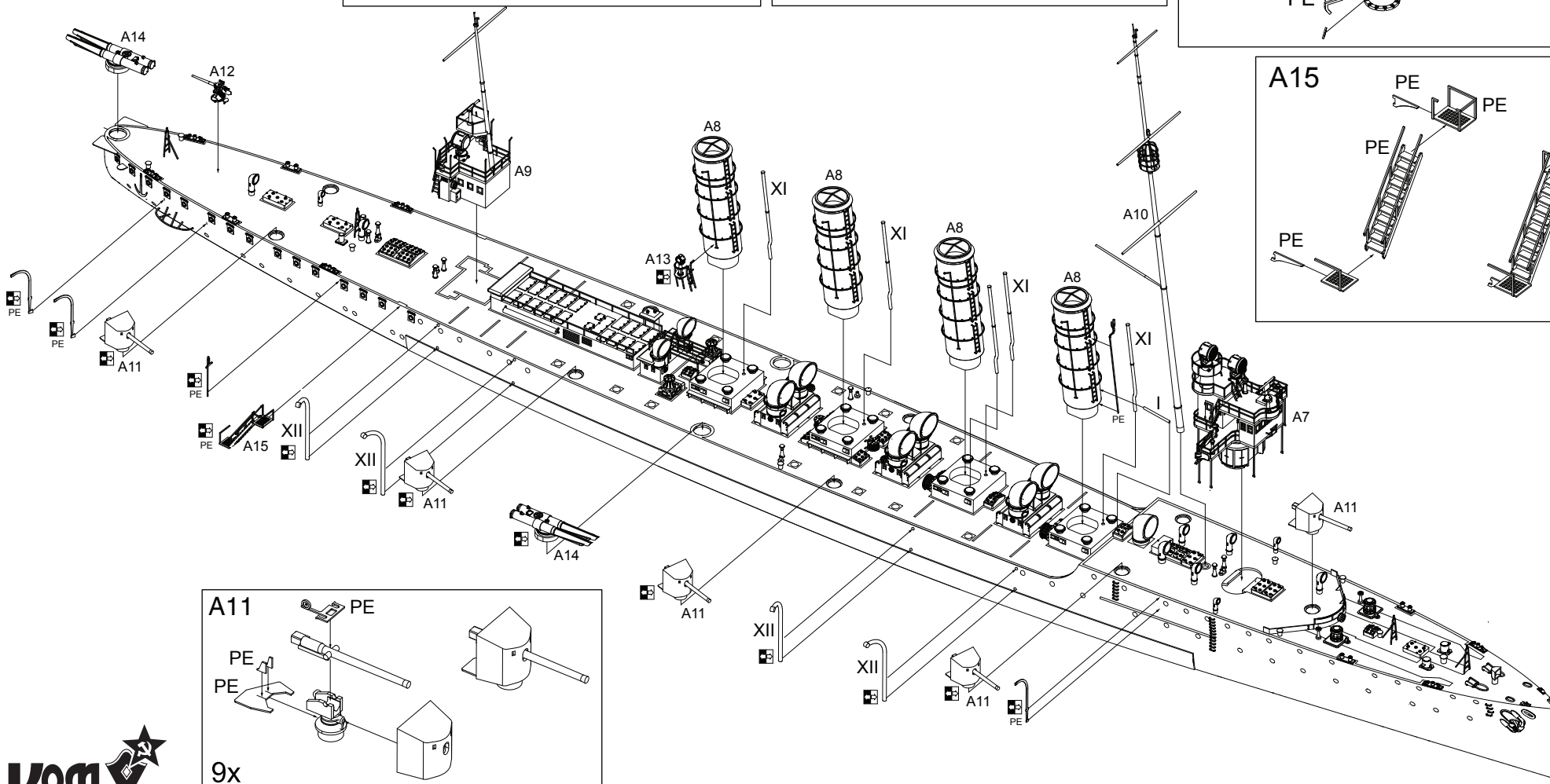
A12



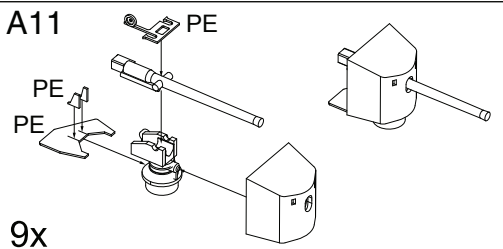
A15



2x



A11



9x



СХЕМА СБОРКИ МОДЕЛИ
ASSEMBLY INSTRUCTIONS

8

