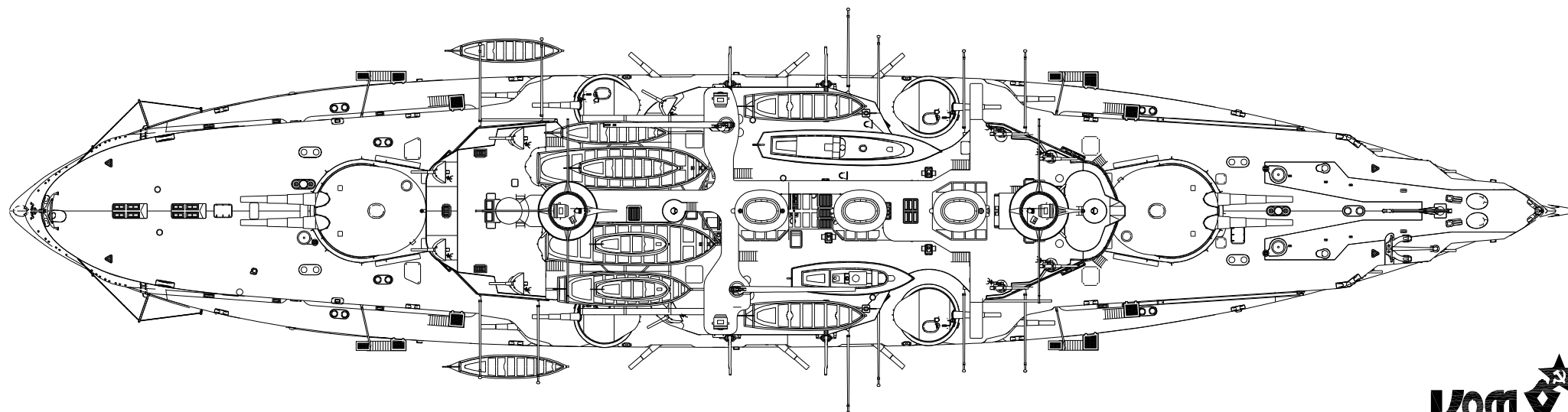
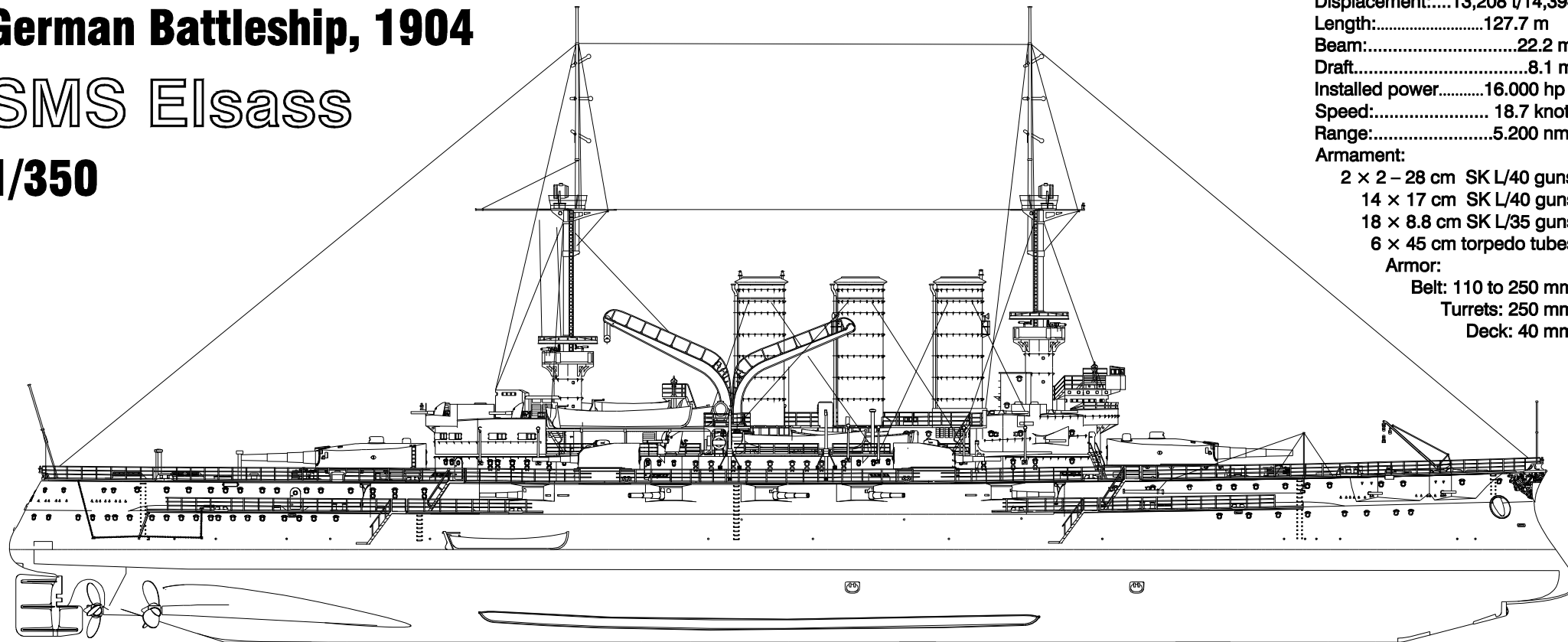


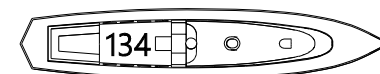
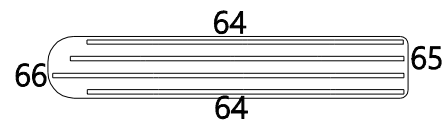
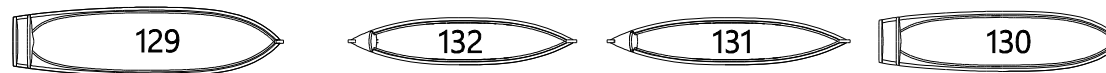
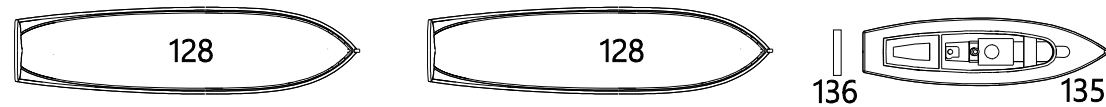
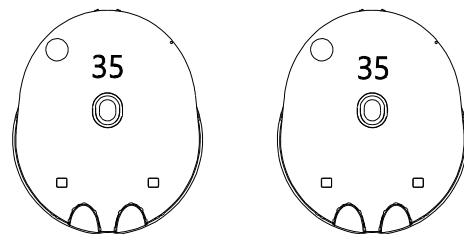
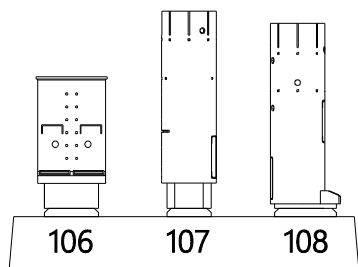
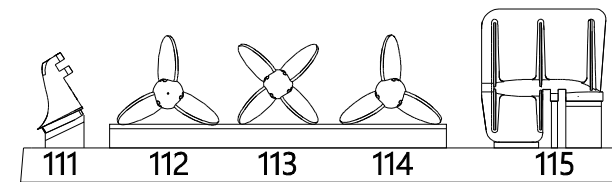
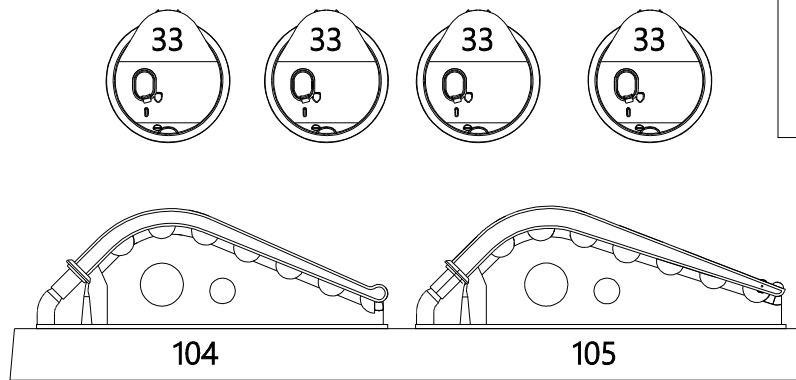
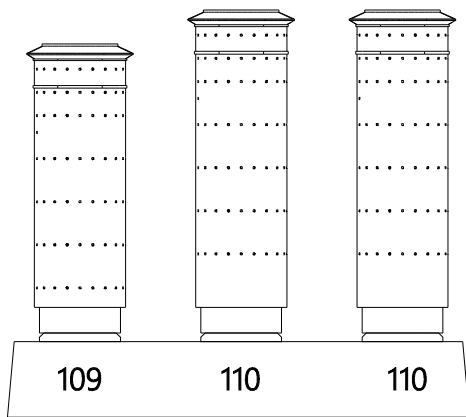
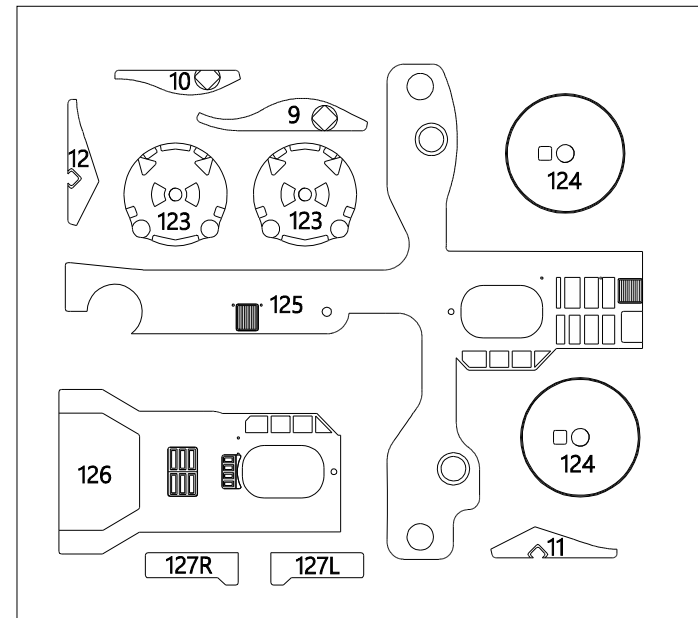
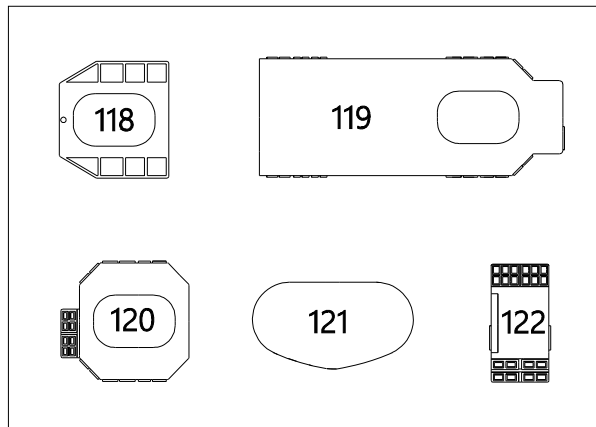
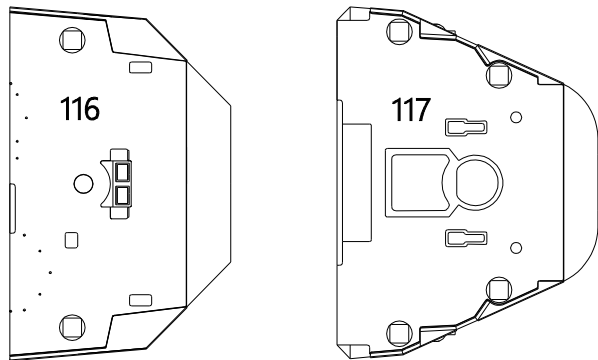
German Battleship, 1904

SMS Elsass

1/350



Displacement:.....13,208 t/14,394
Length:.....127.7 m
Beam:.....22.2 m
Draft:.....8.1 m
Installed power.....16.000 hp
Speed:..... 18.7 knots
Range:.....5.200 nmi
Armament:
2 × 2 – 28 cm SK L/40 guns
14 × 17 cm SK L/40 guns
18 × 8.8 cm SK L/35 guns
6 × 45 cm torpedo tubes
Armor:
Belt: 110 to 250 mm
Turrets: 250 mm
Deck: 40 mm



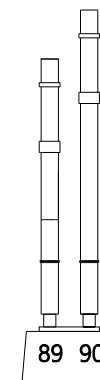
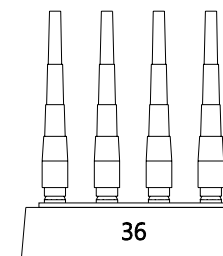
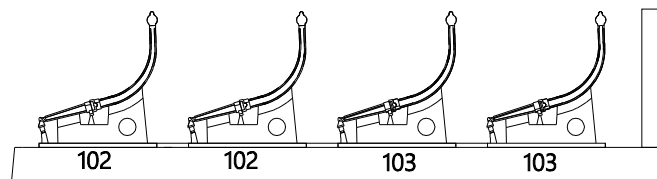
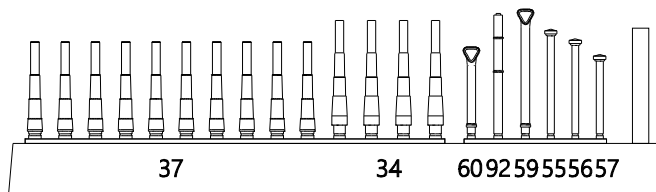
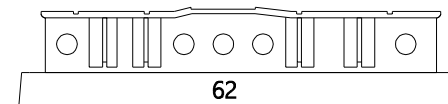
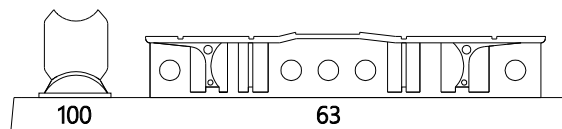
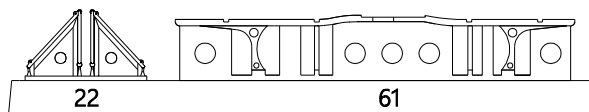
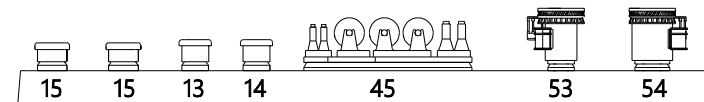
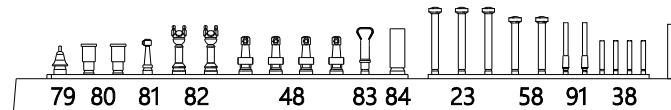
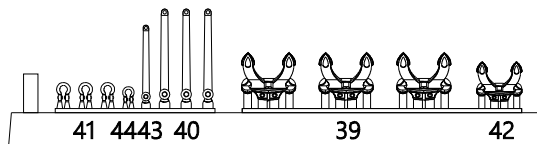
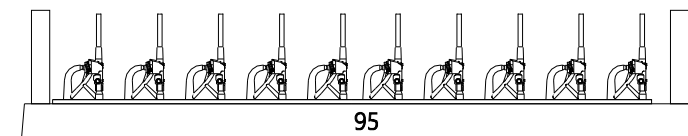
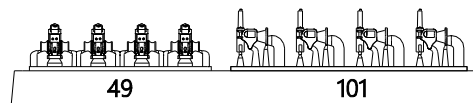
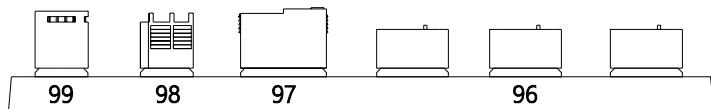
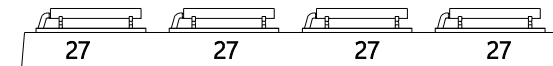
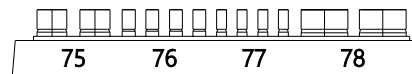
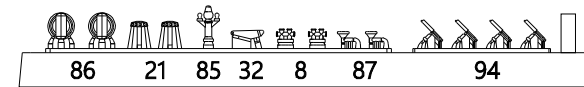
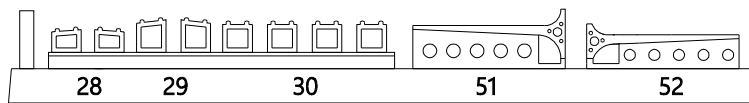
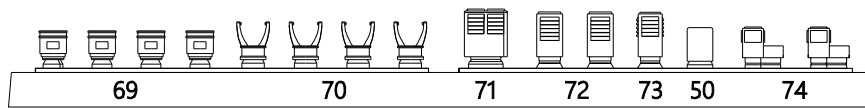
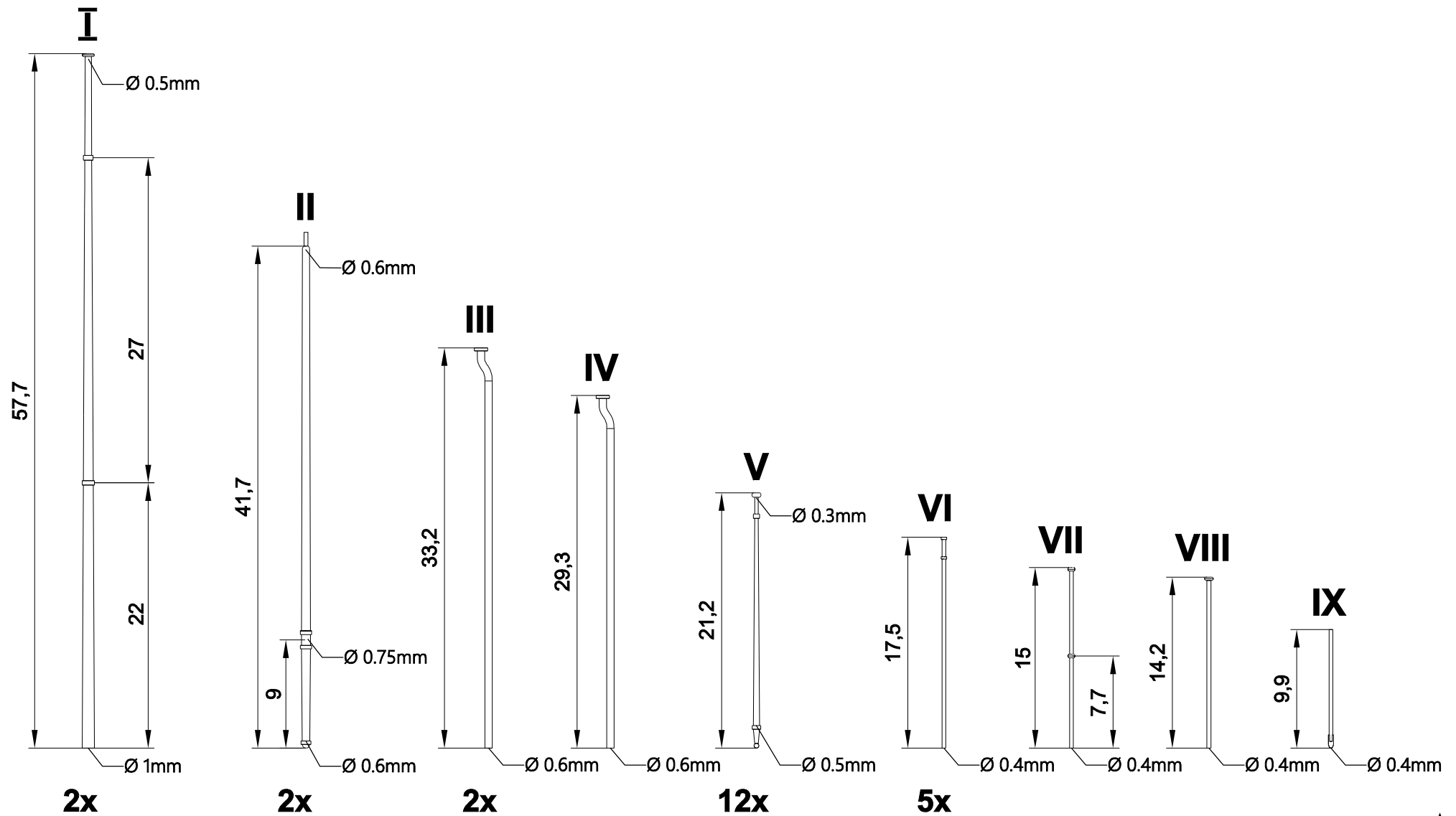
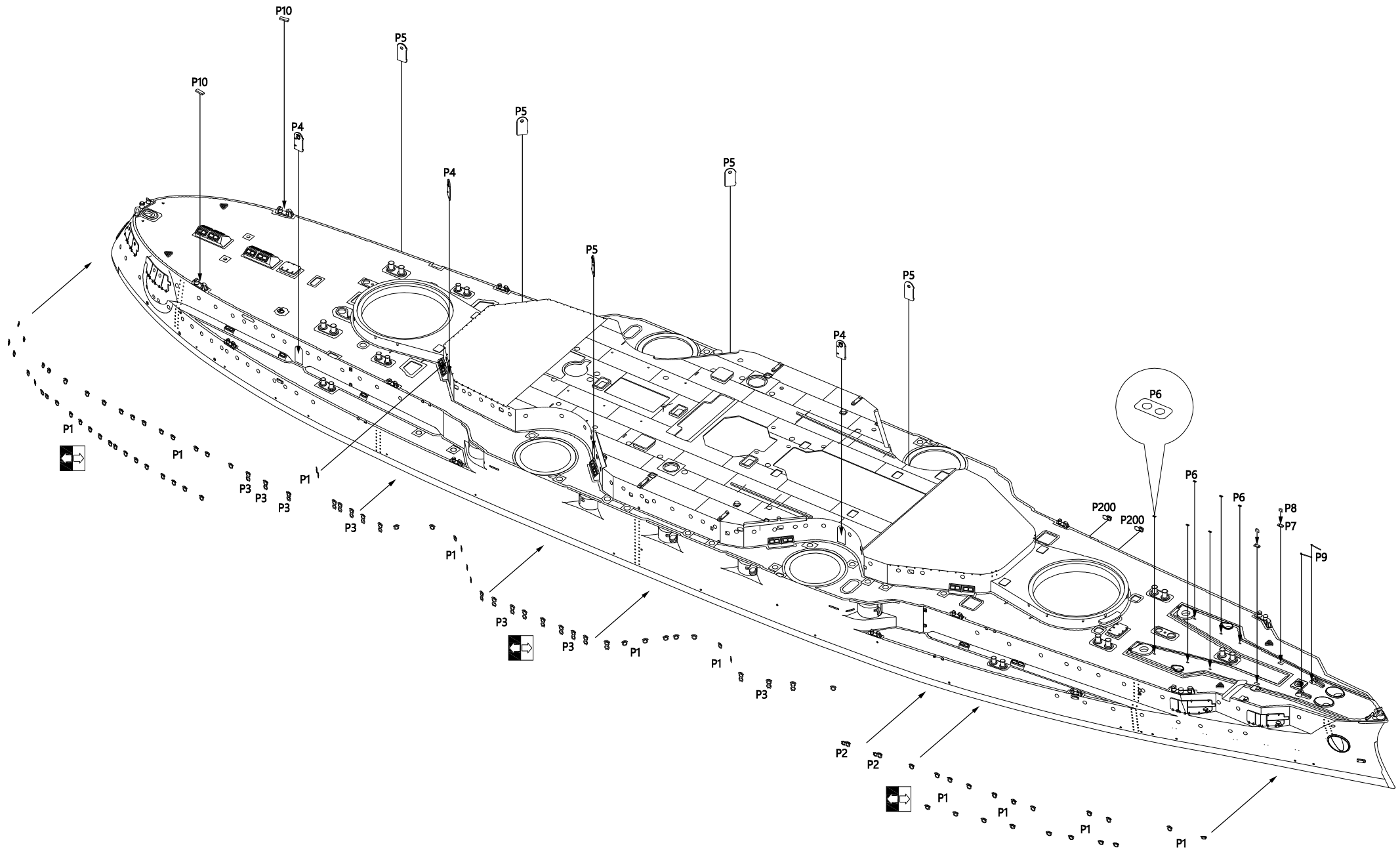


photo etchit



self made parts
masts & yardarms

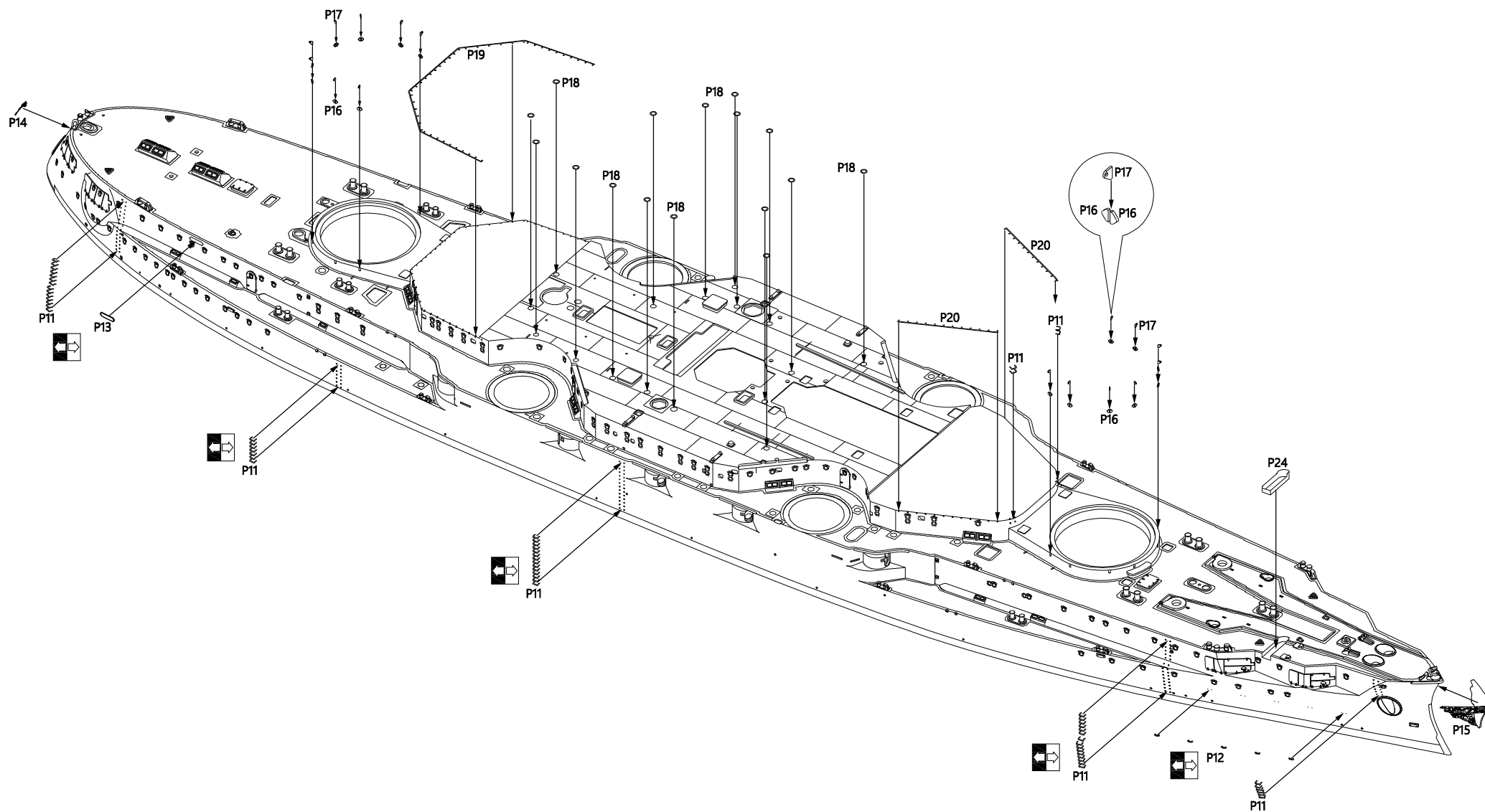


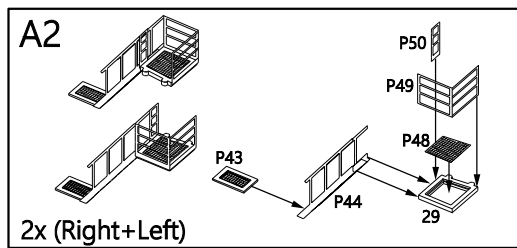
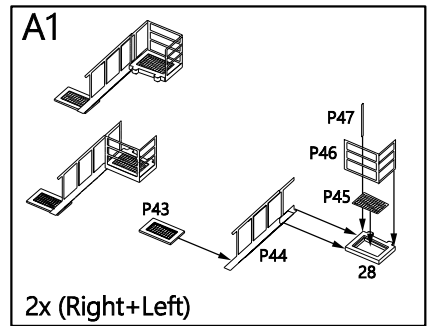
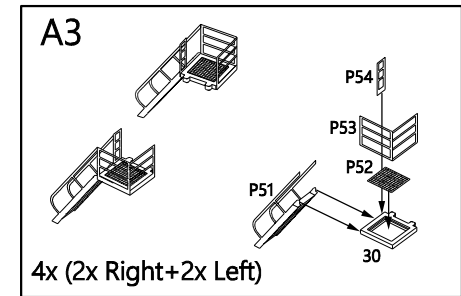
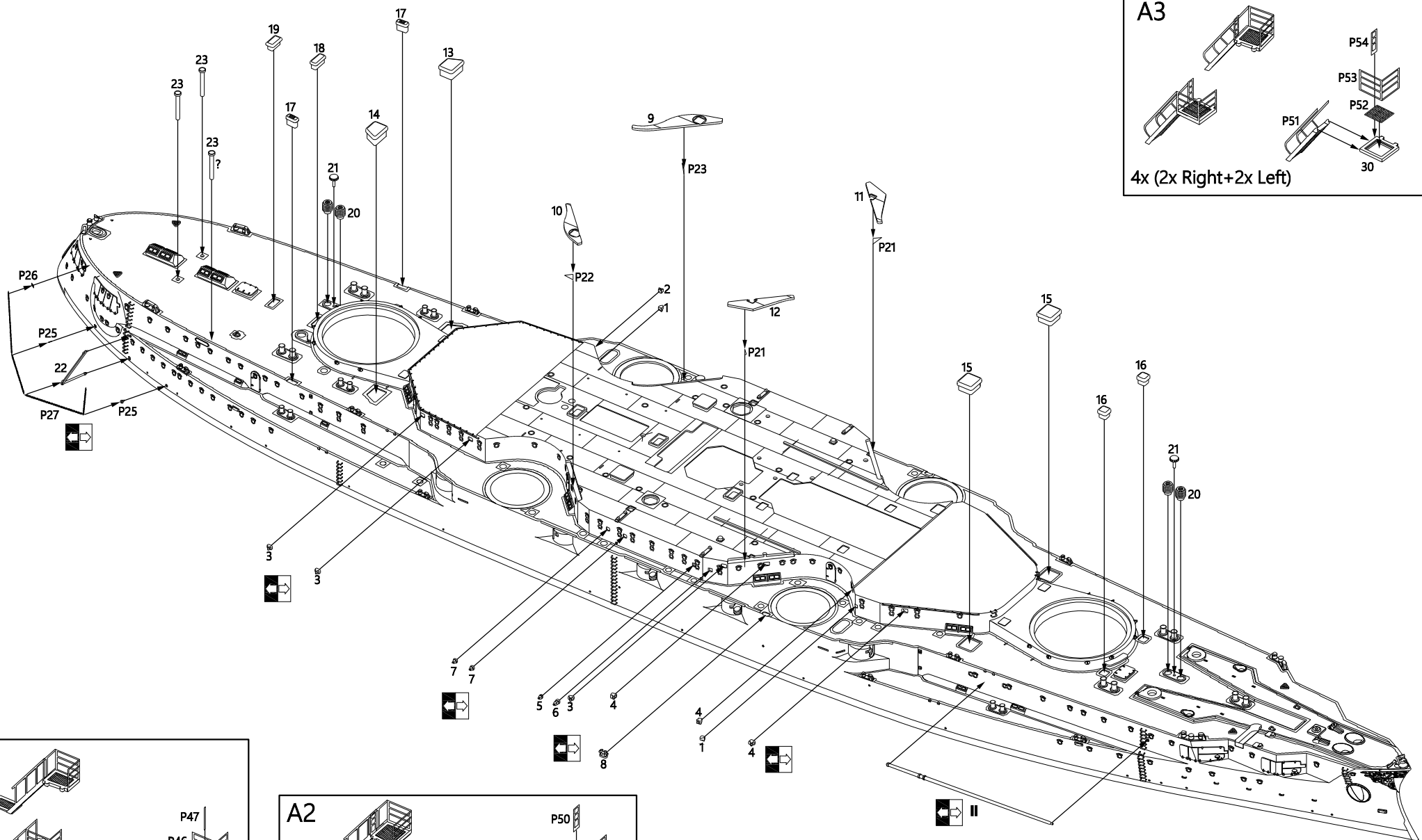


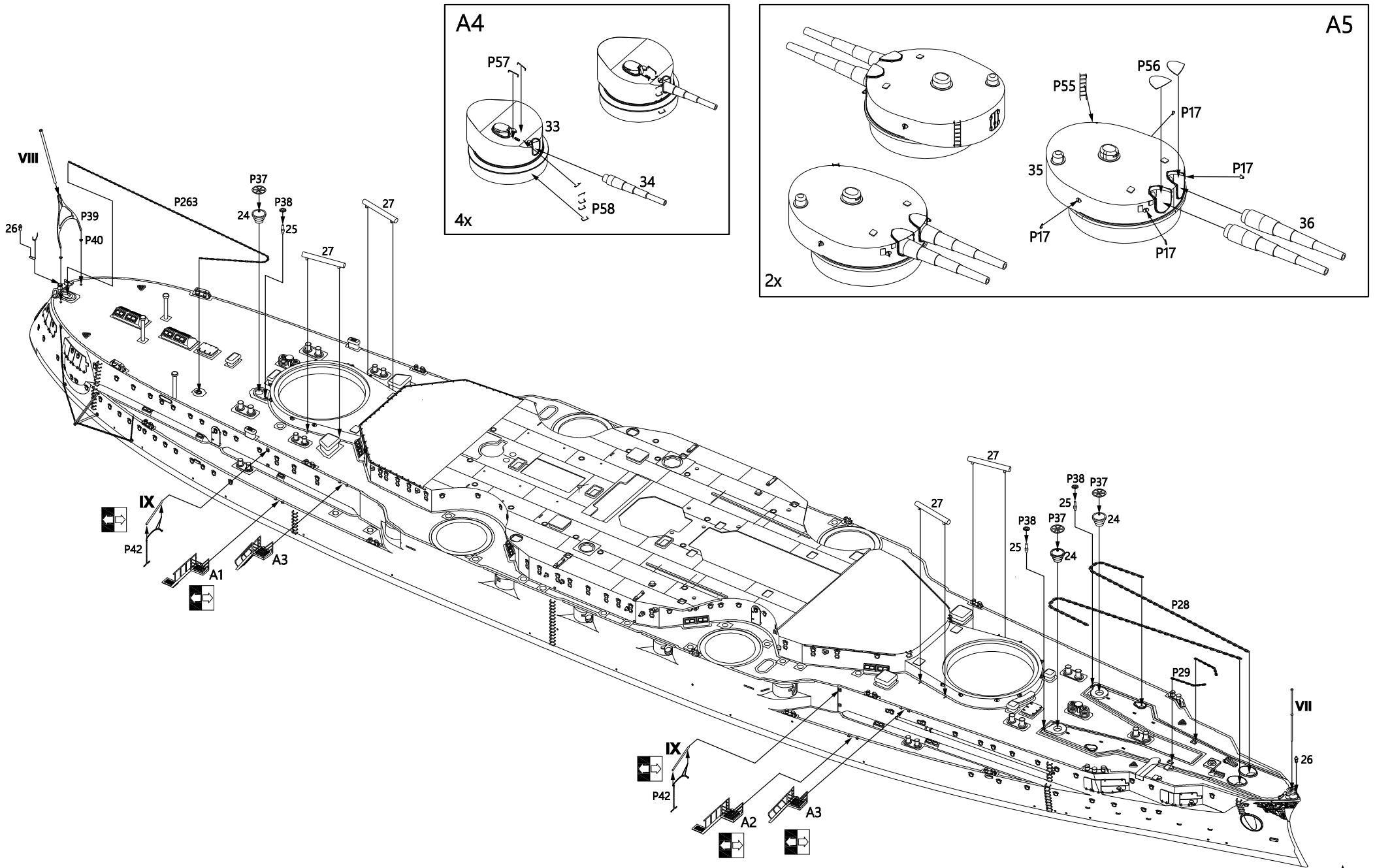
Please note that the assembly guide reflects the position of the parts when installed only, and not the exact order of the assembly.
 To download the assembly instructions in PDF (high resolution) please visit www.combrig-models.com

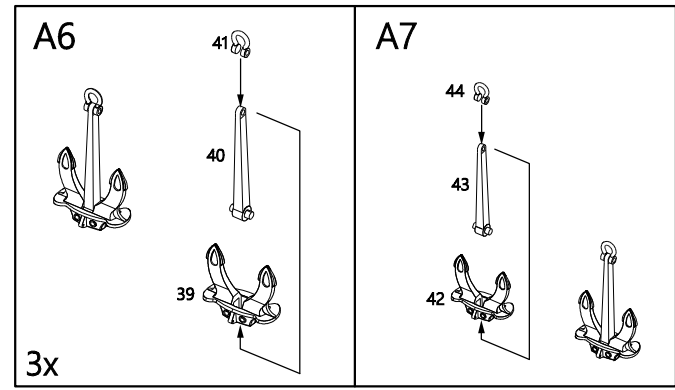
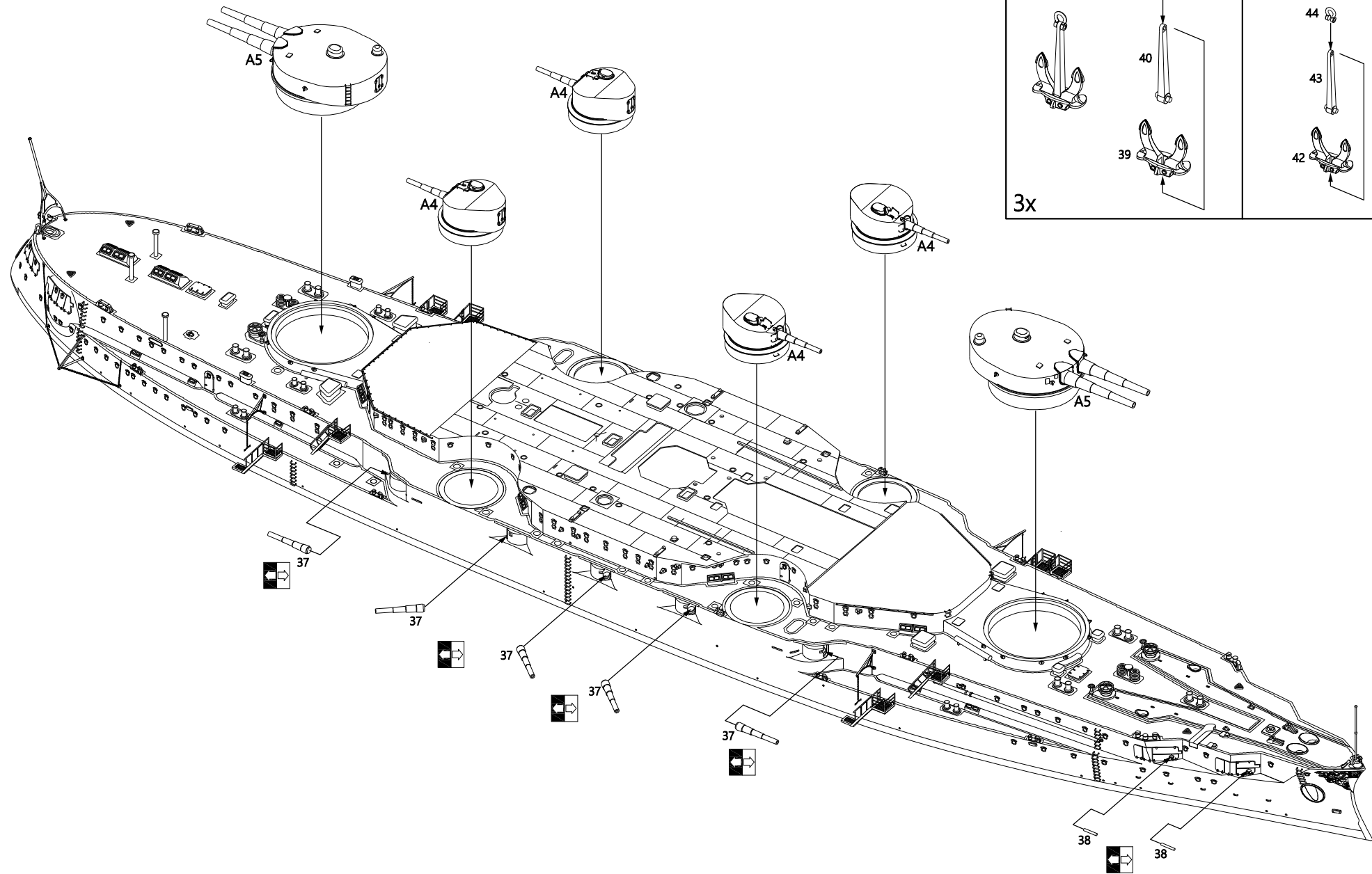
3590 For more info on Combrig kits see: www.combrig-models.com www.steelnavy.net www.modelwarships.com

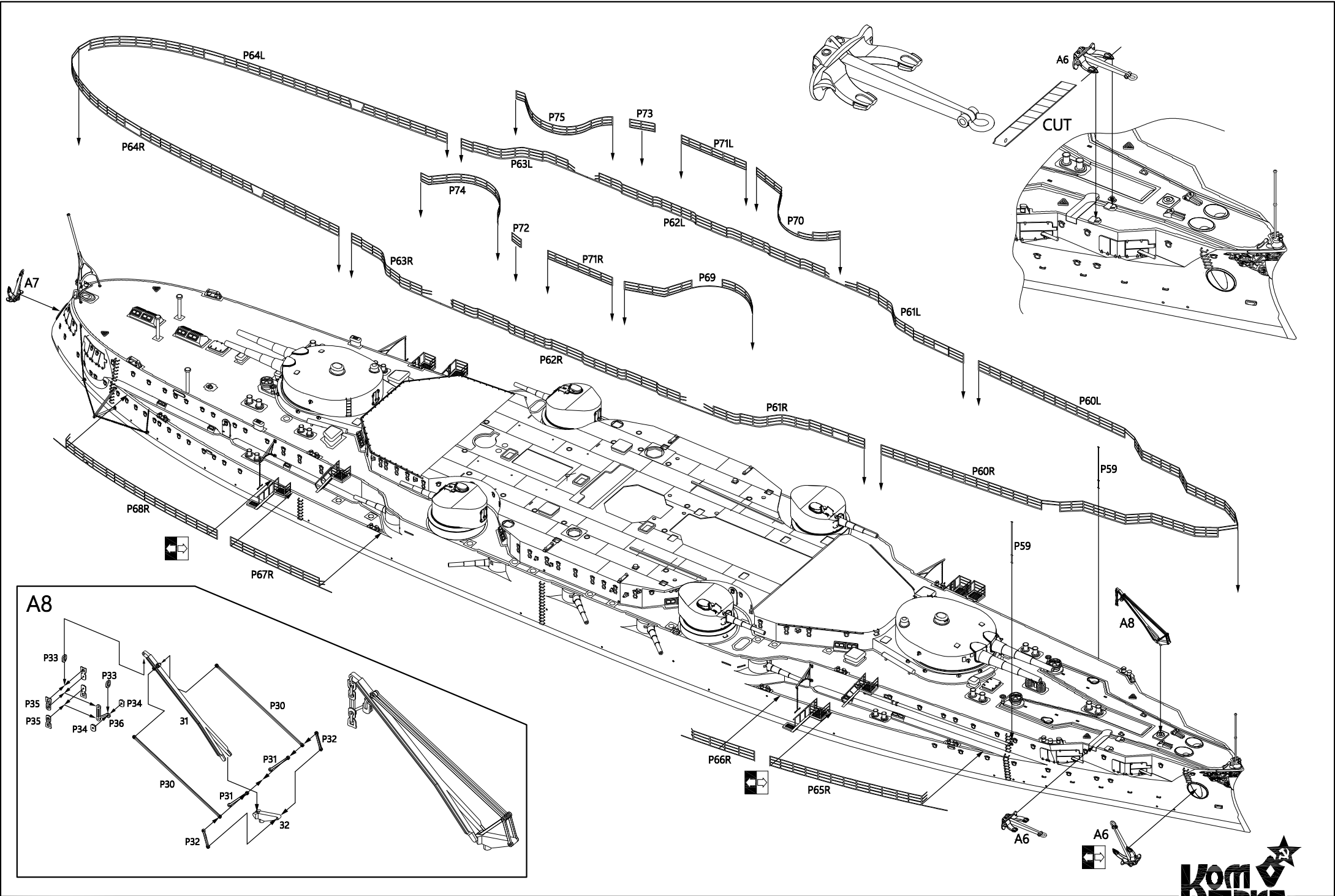


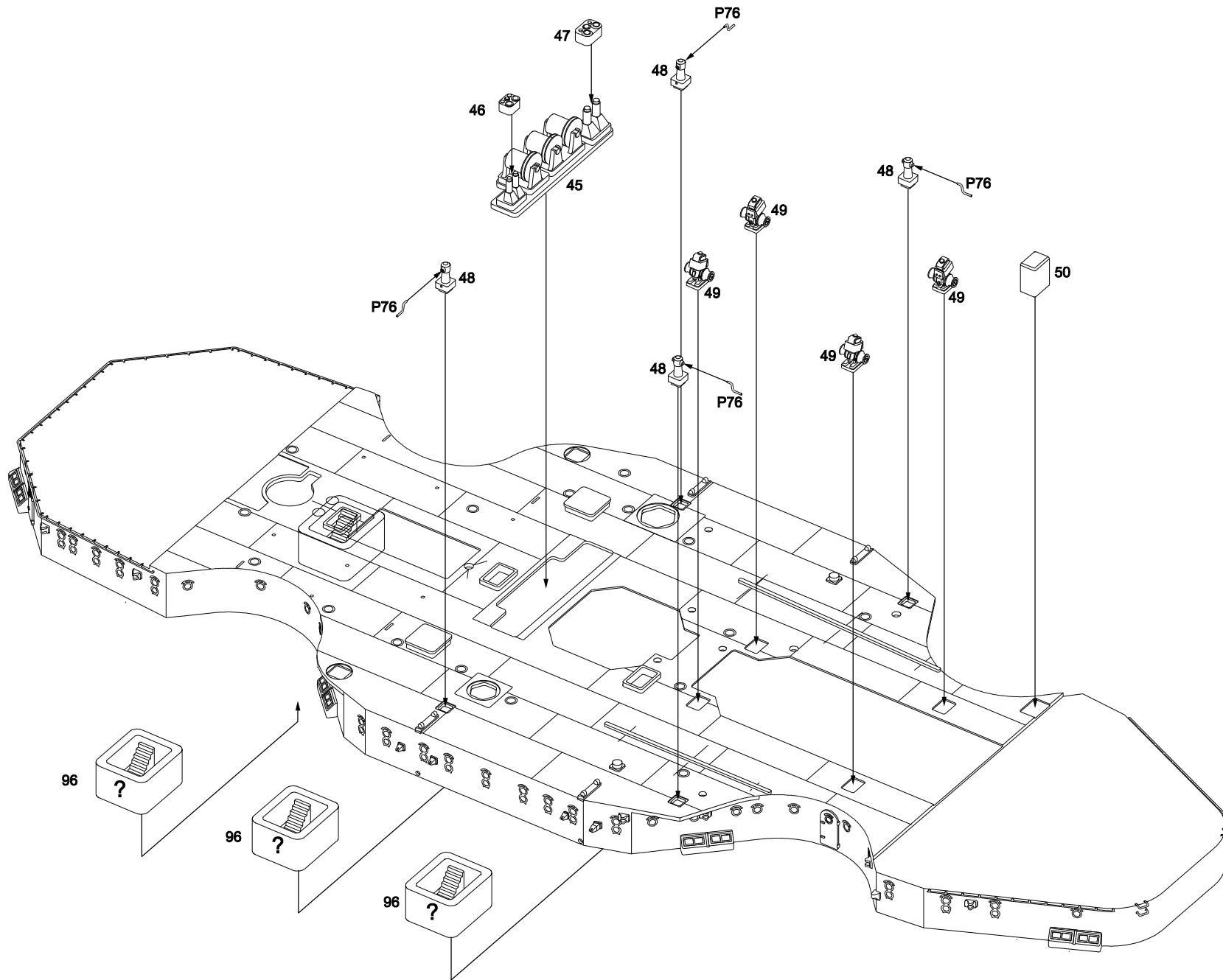


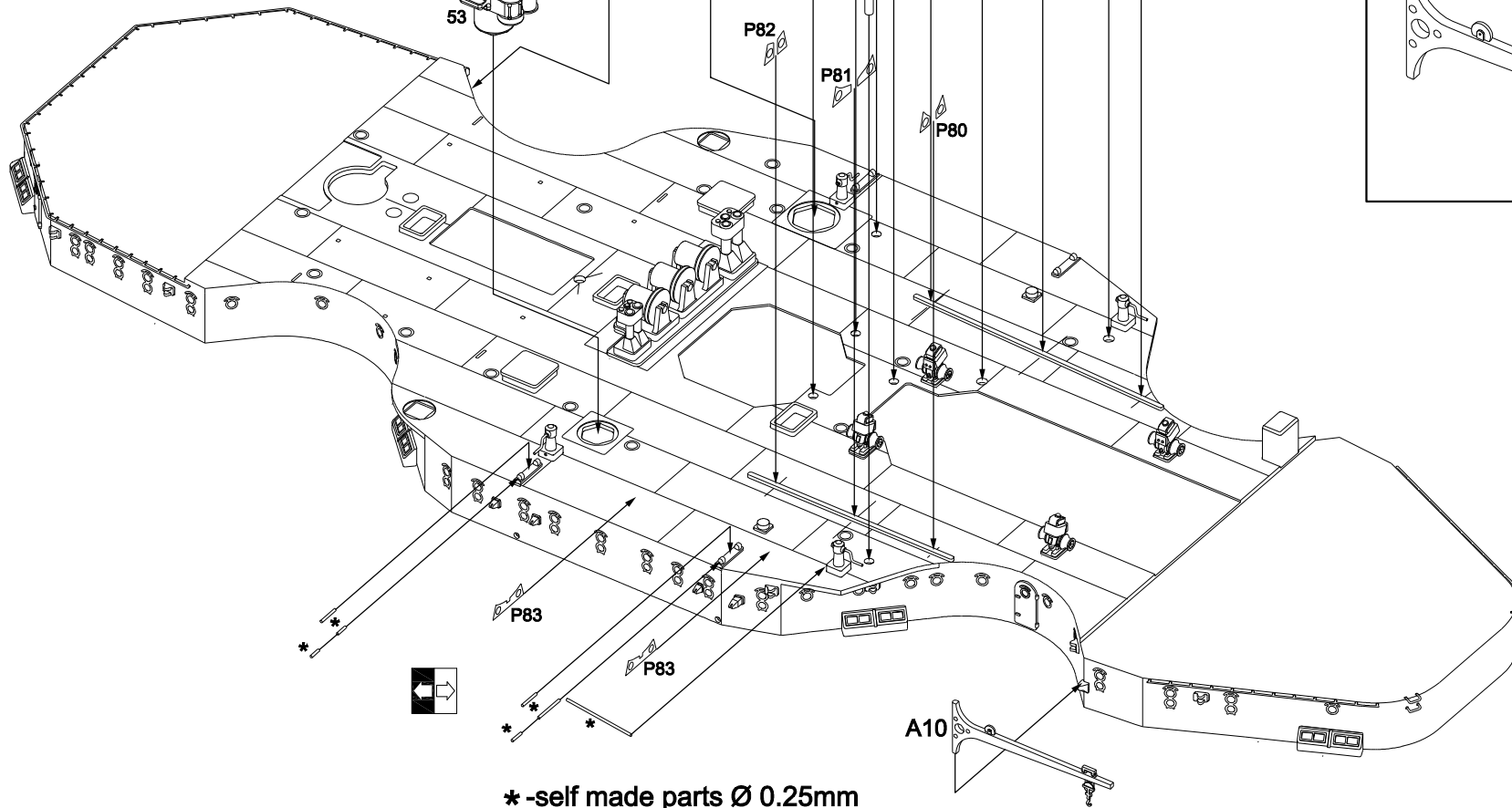
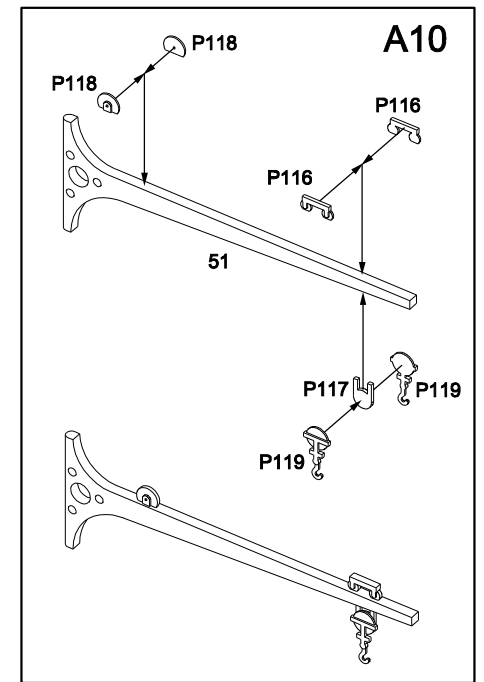
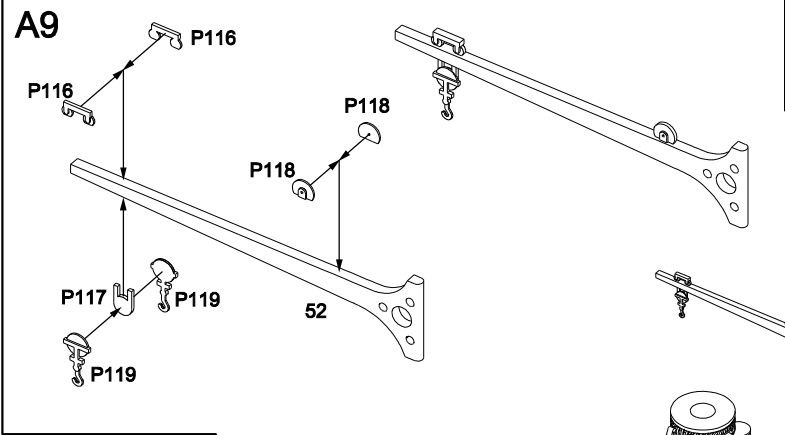






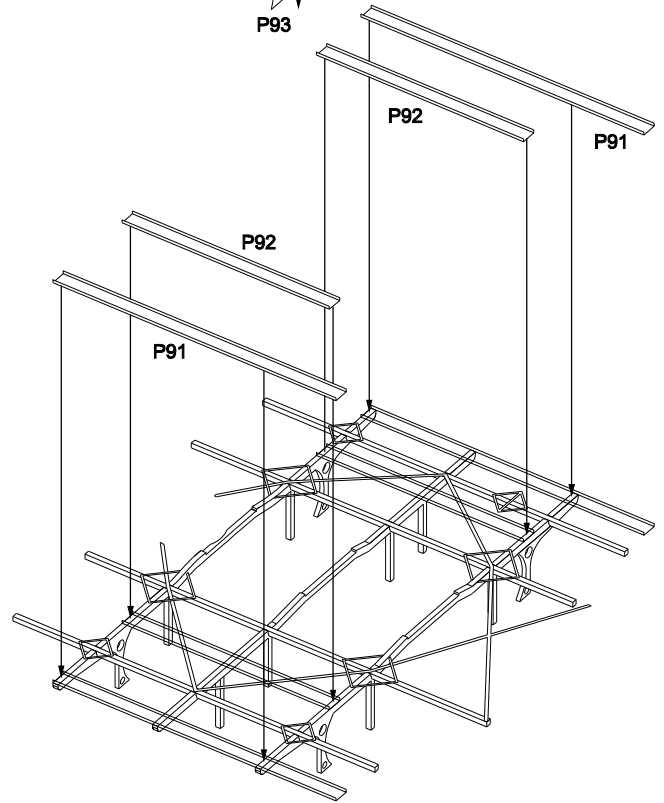
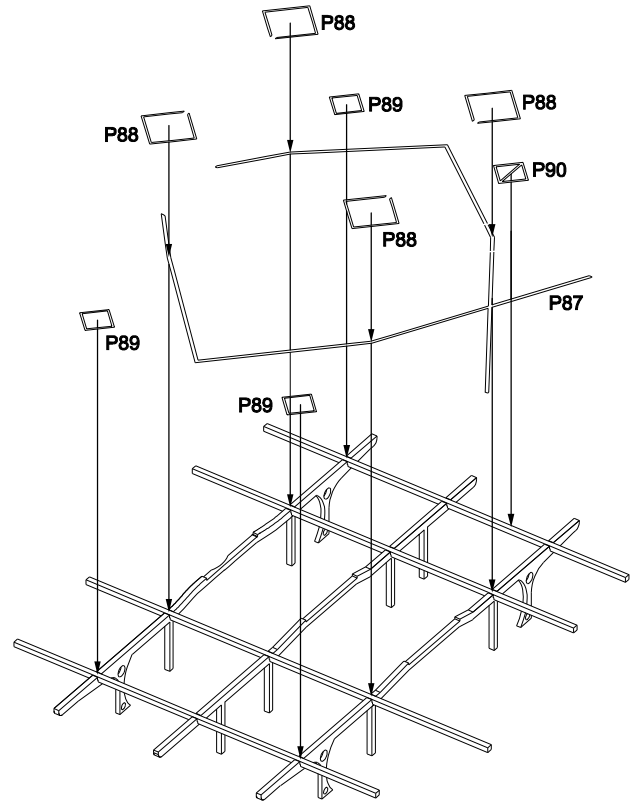
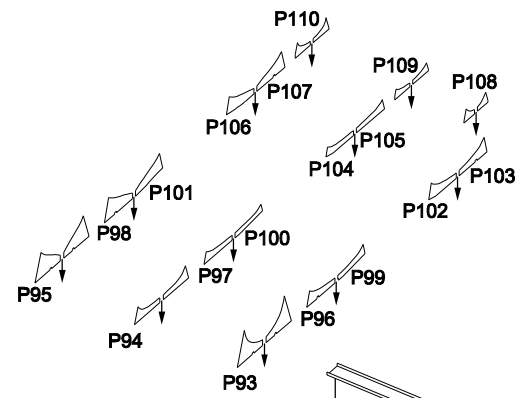
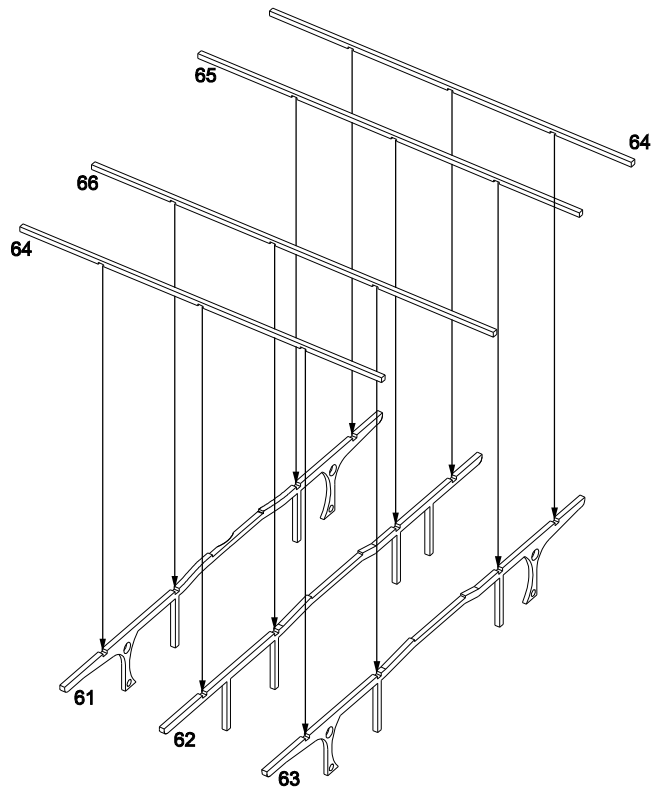
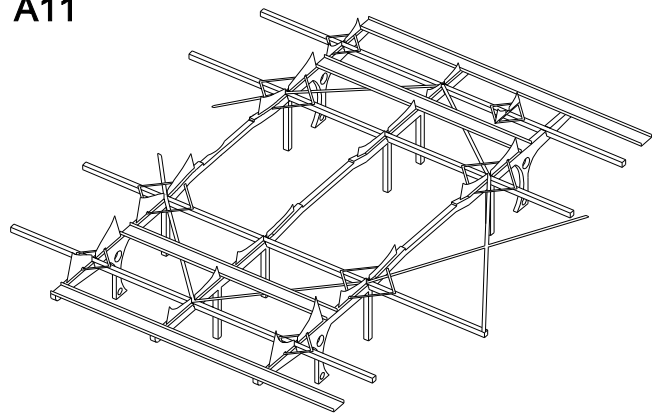




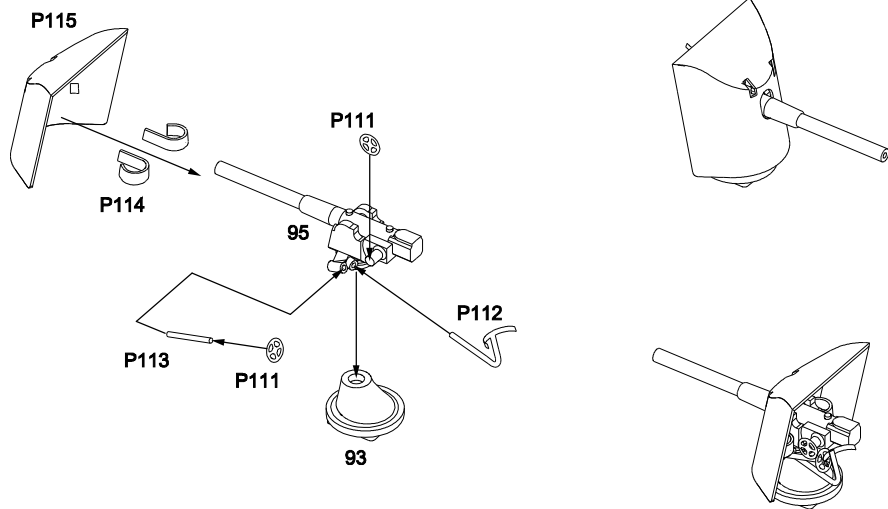


* -self made parts Ø 0.25mm

A11

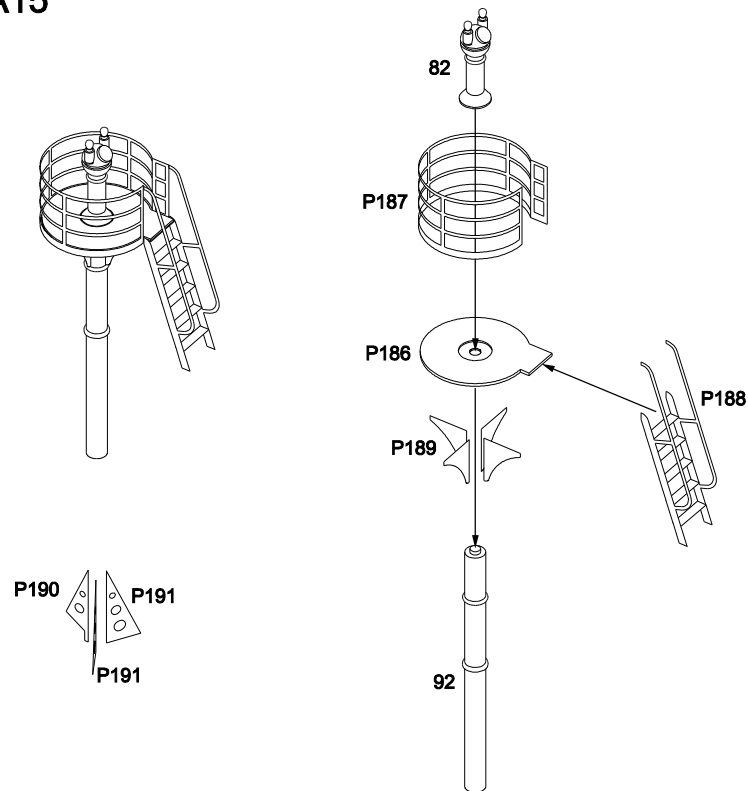


A12

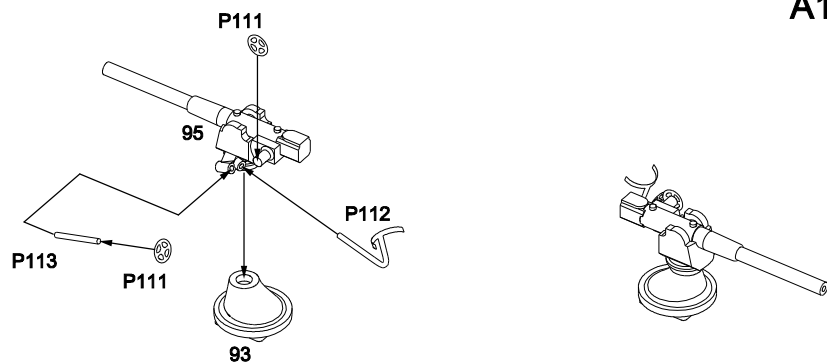


6x

A15

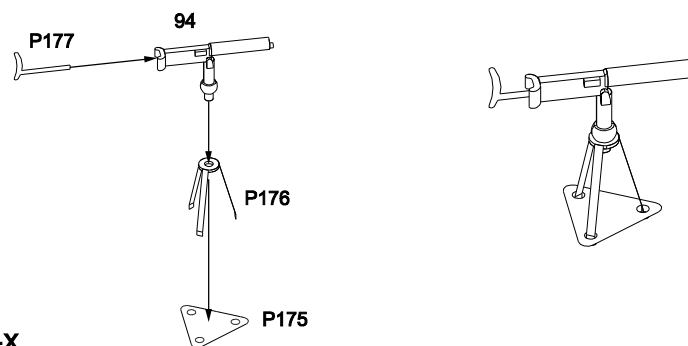


A13

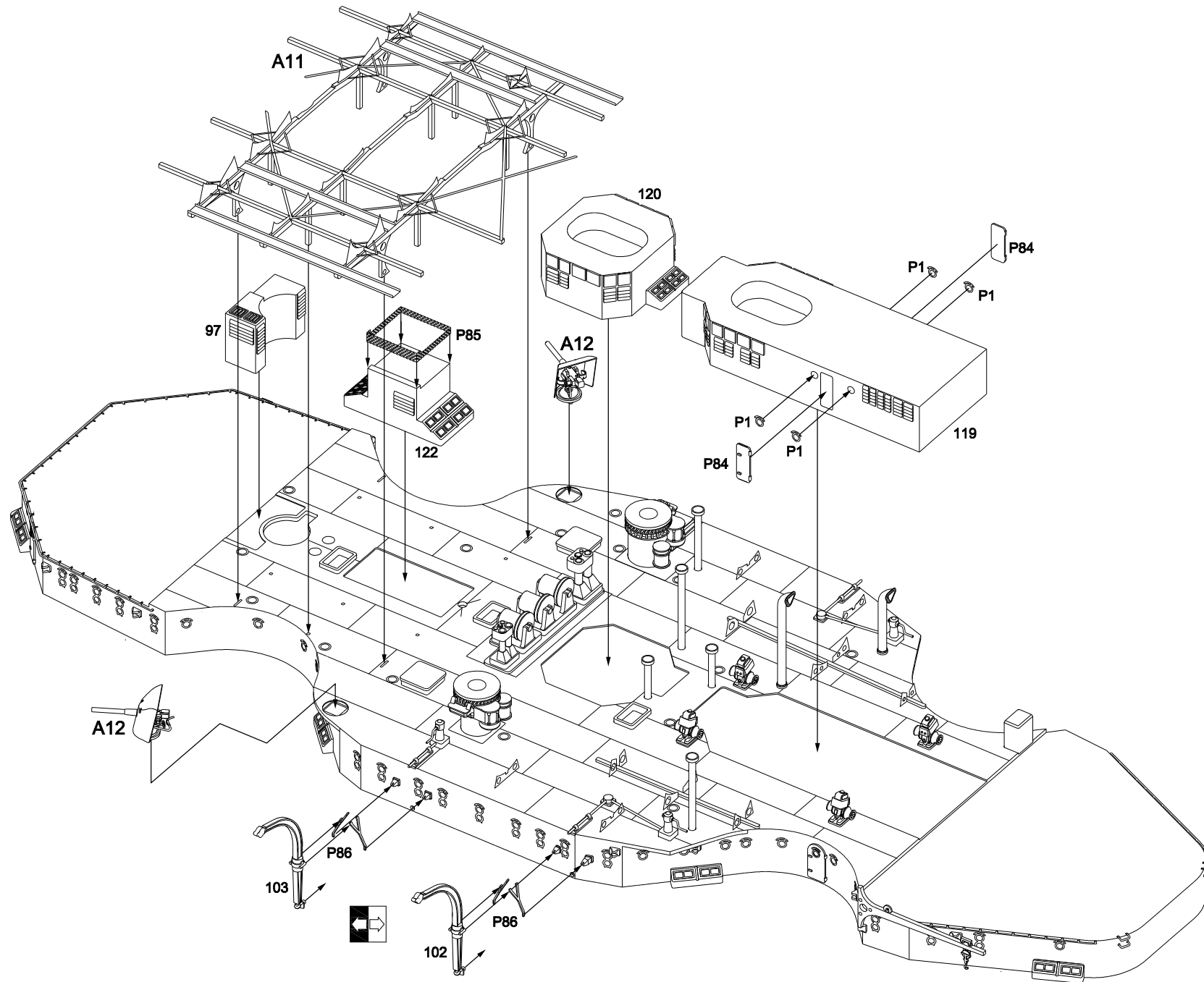


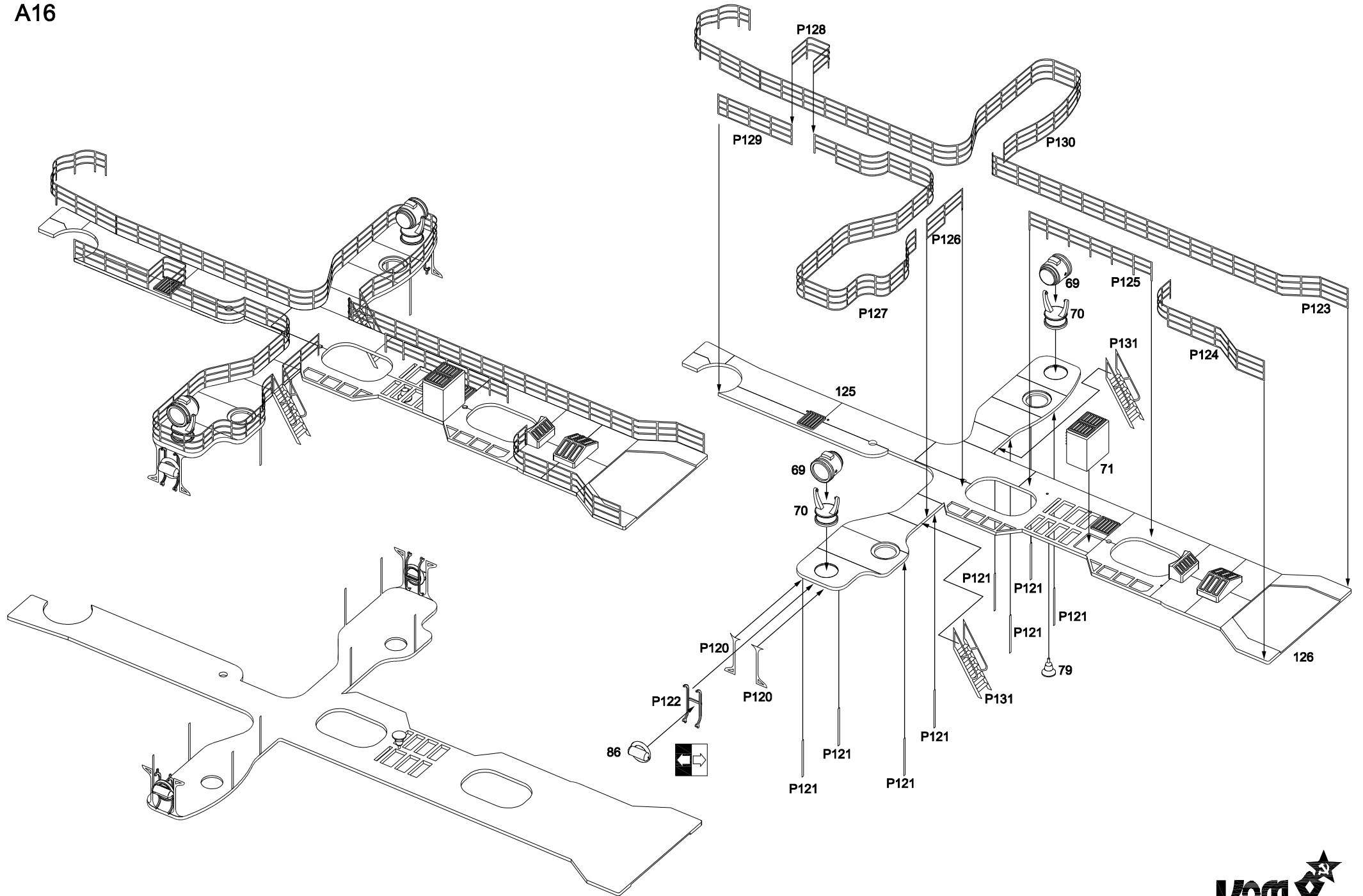
4x

A14

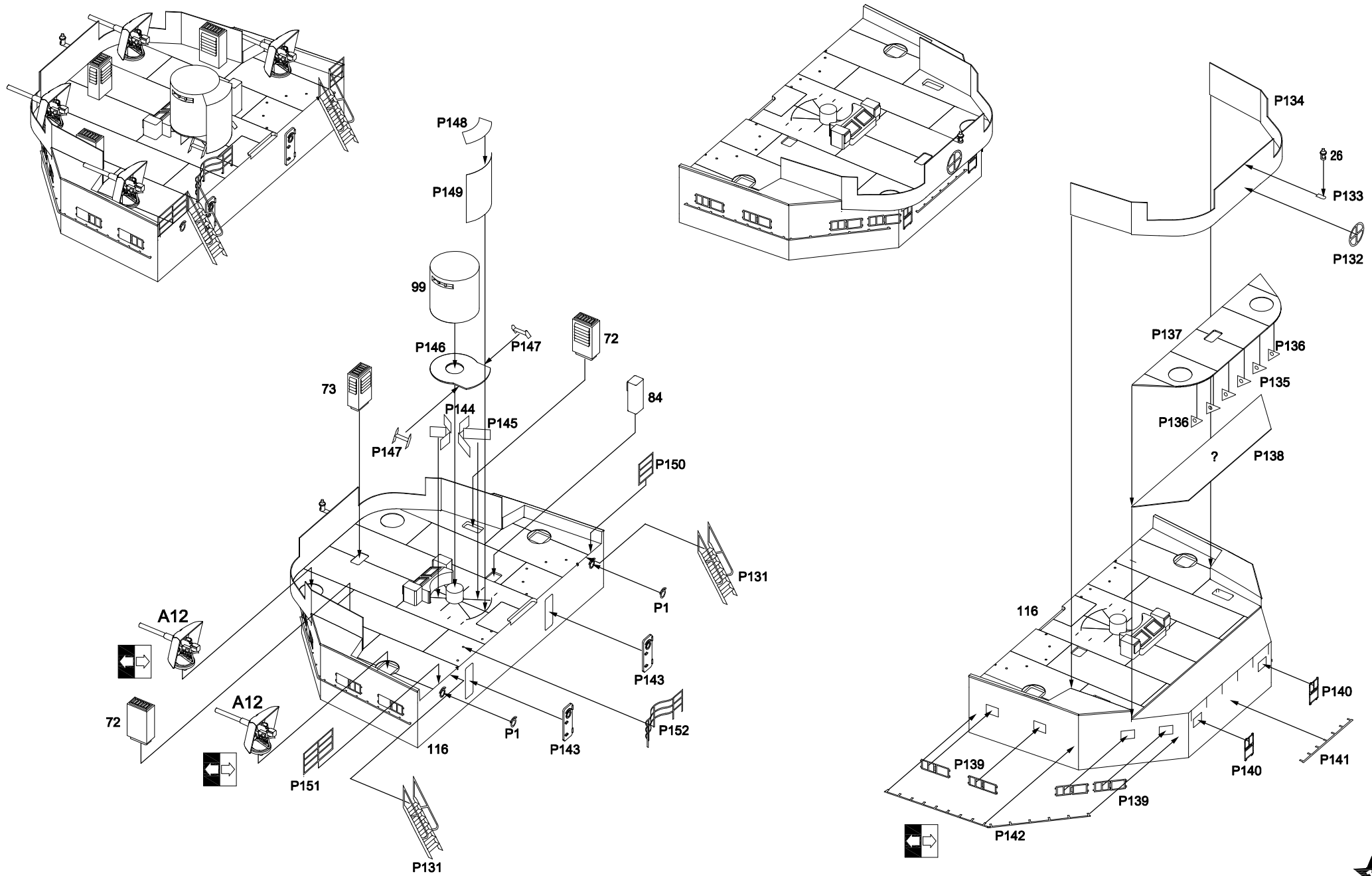


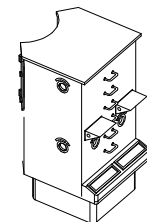
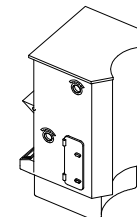
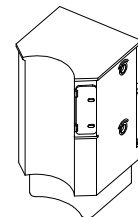
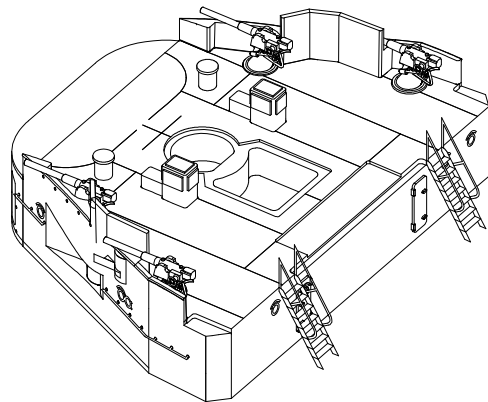
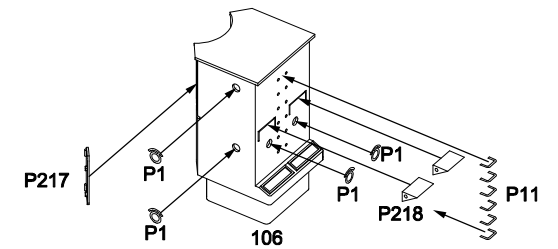
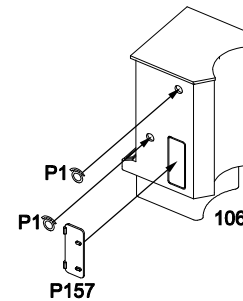
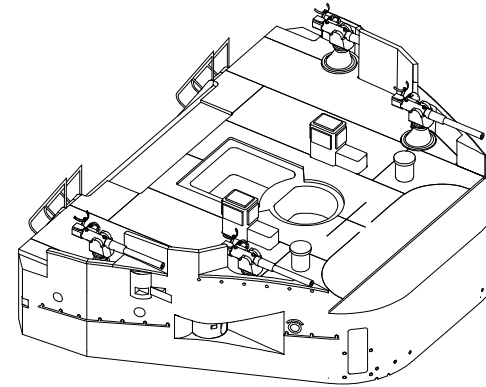
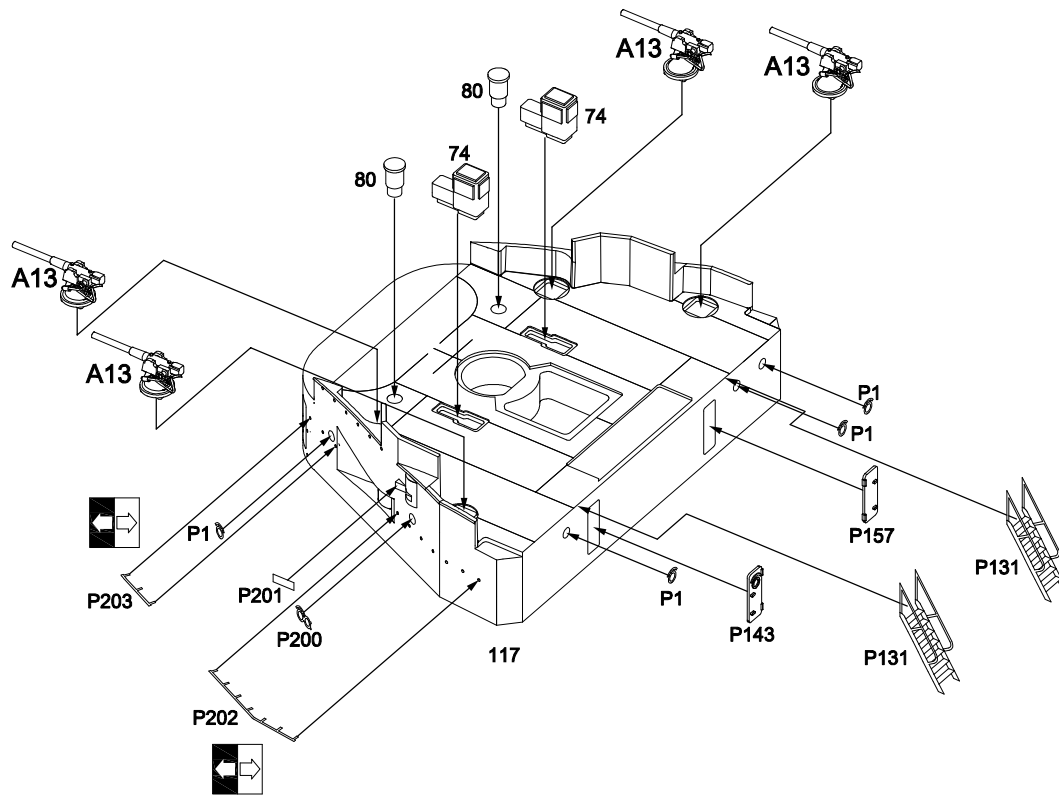
4x

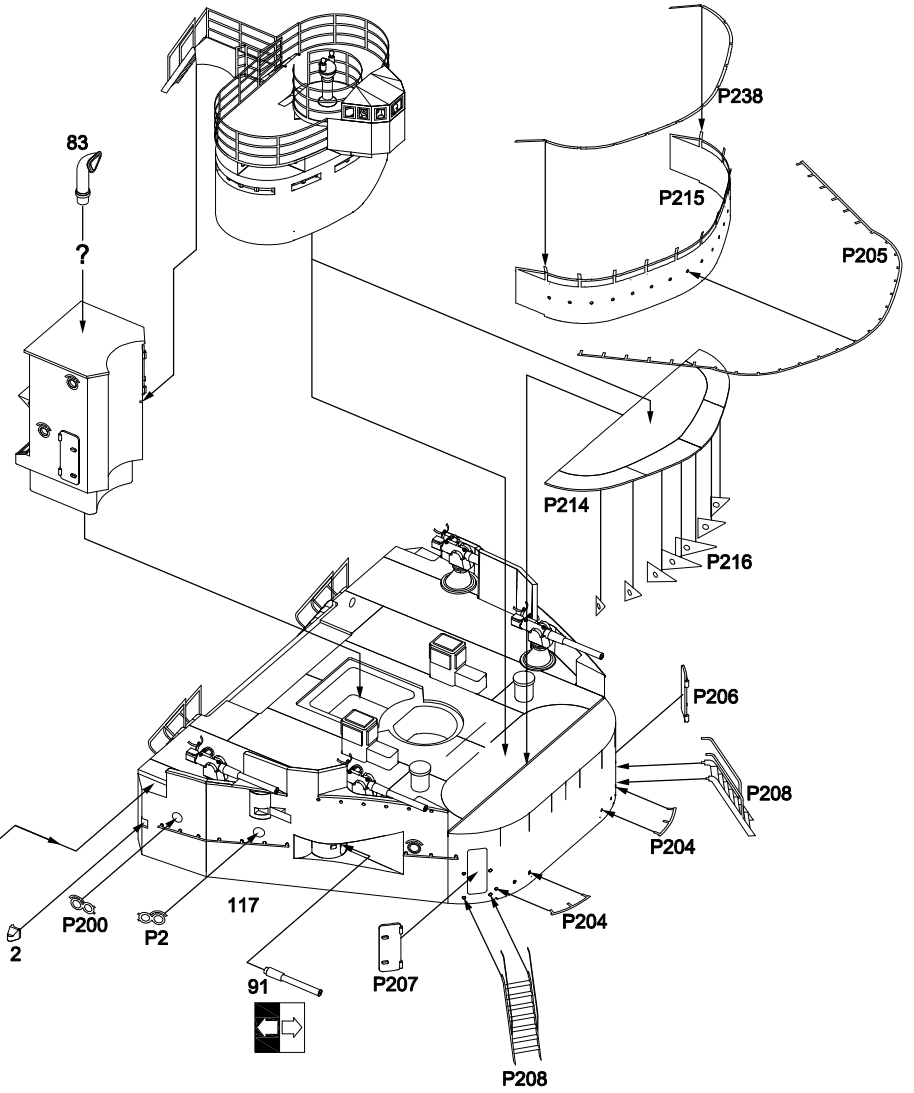
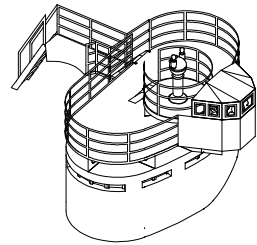
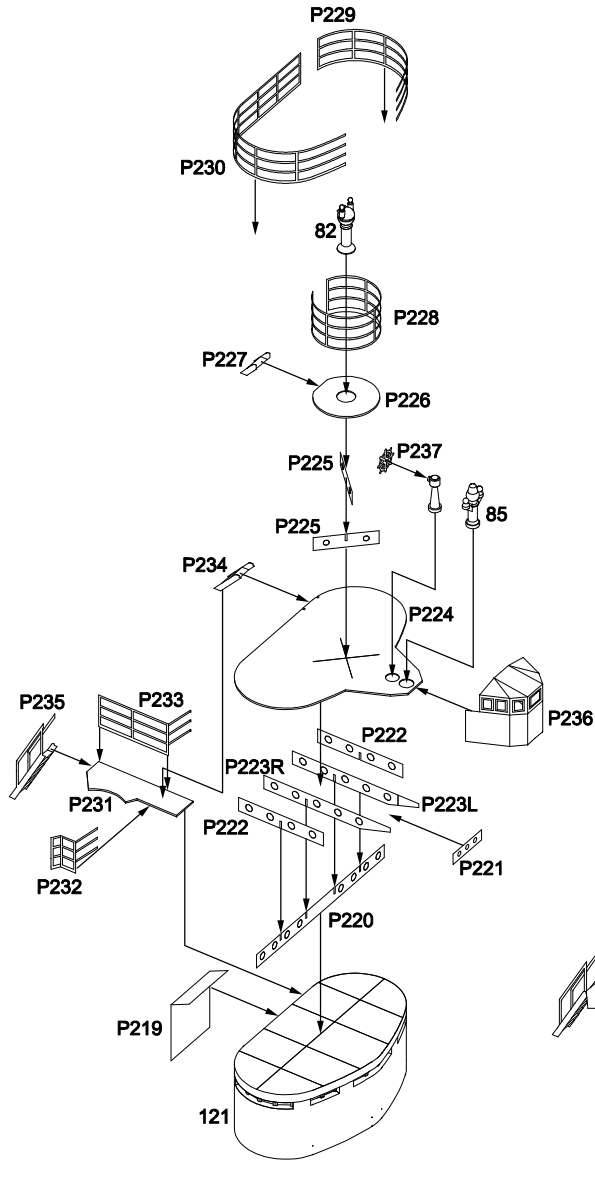
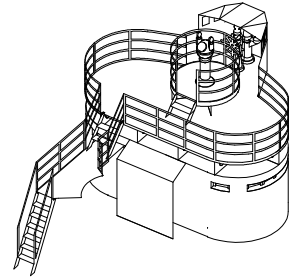
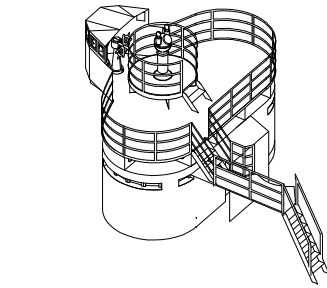




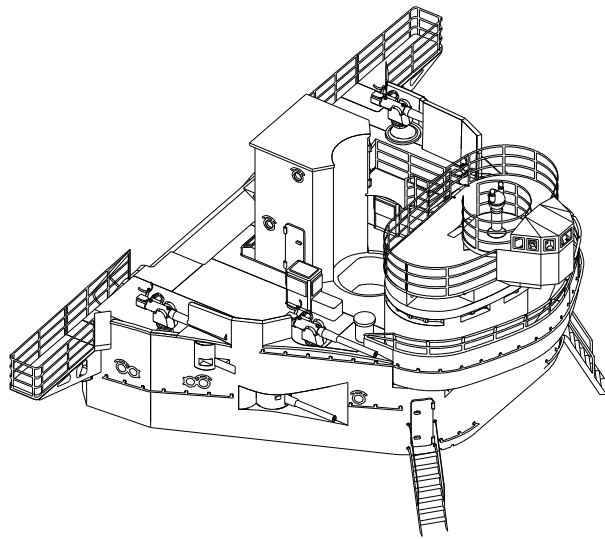
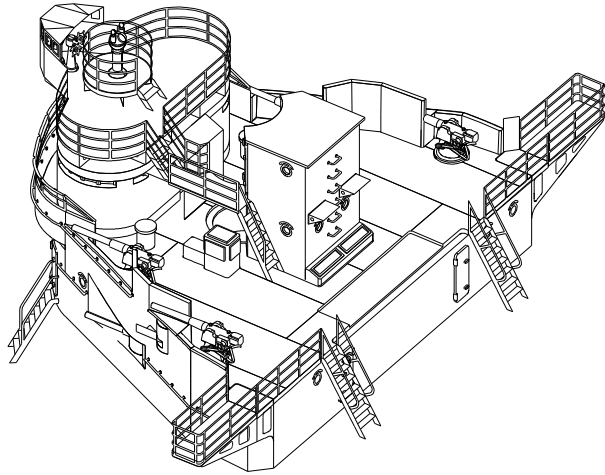
A17



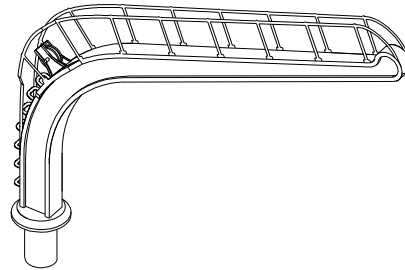
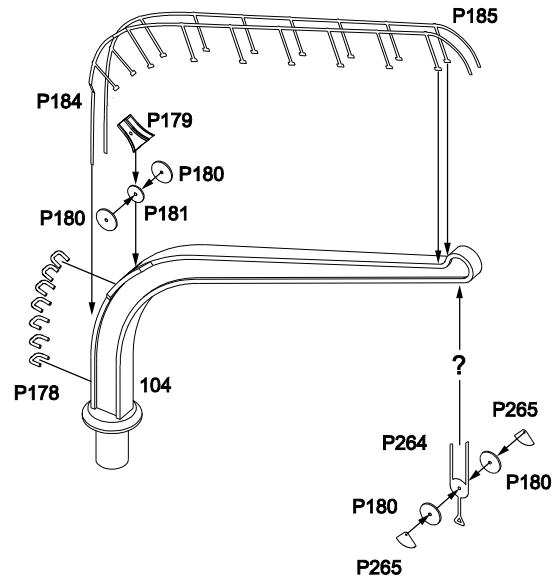




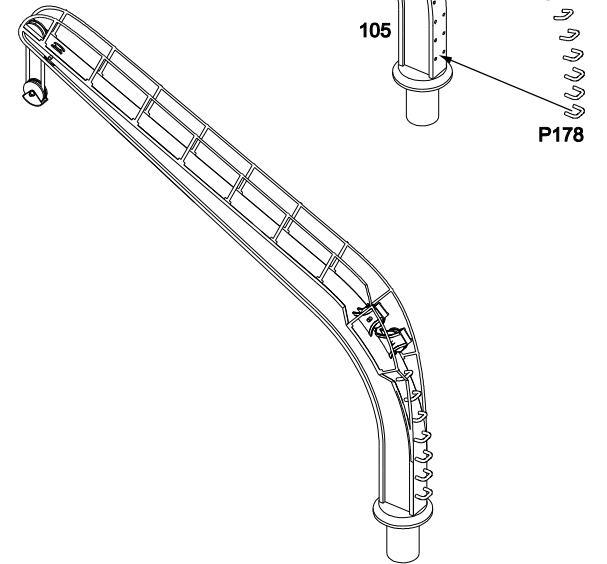
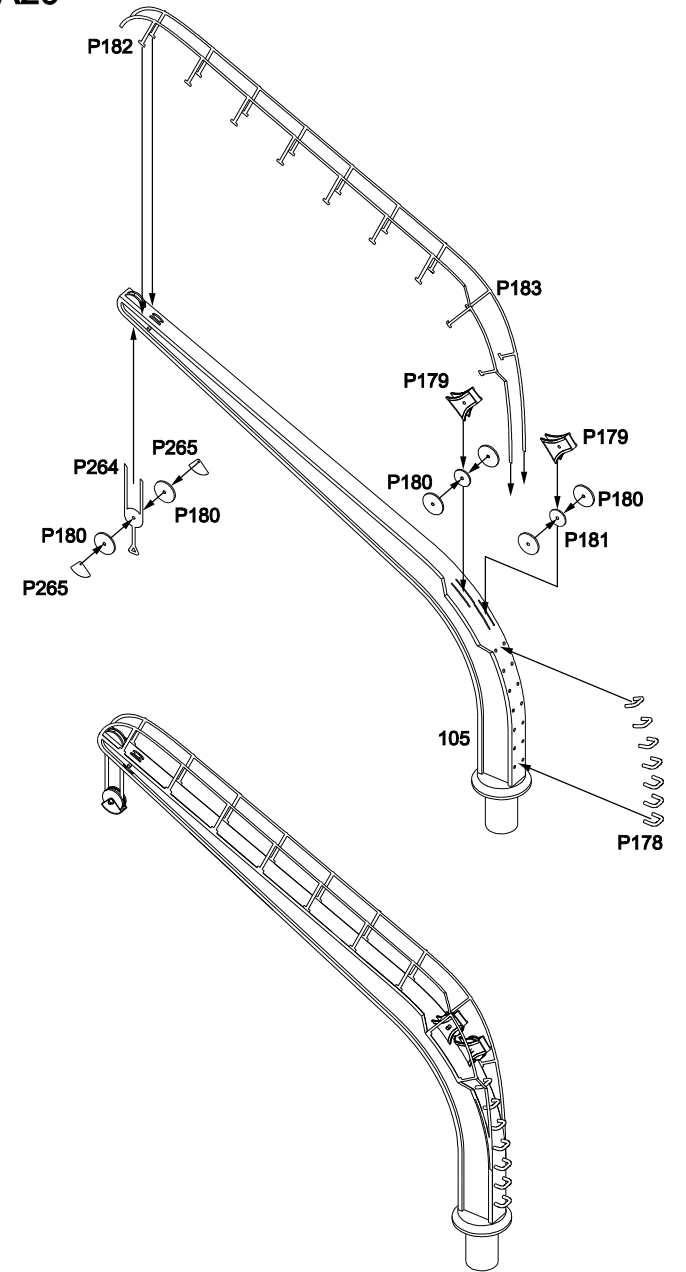
A18

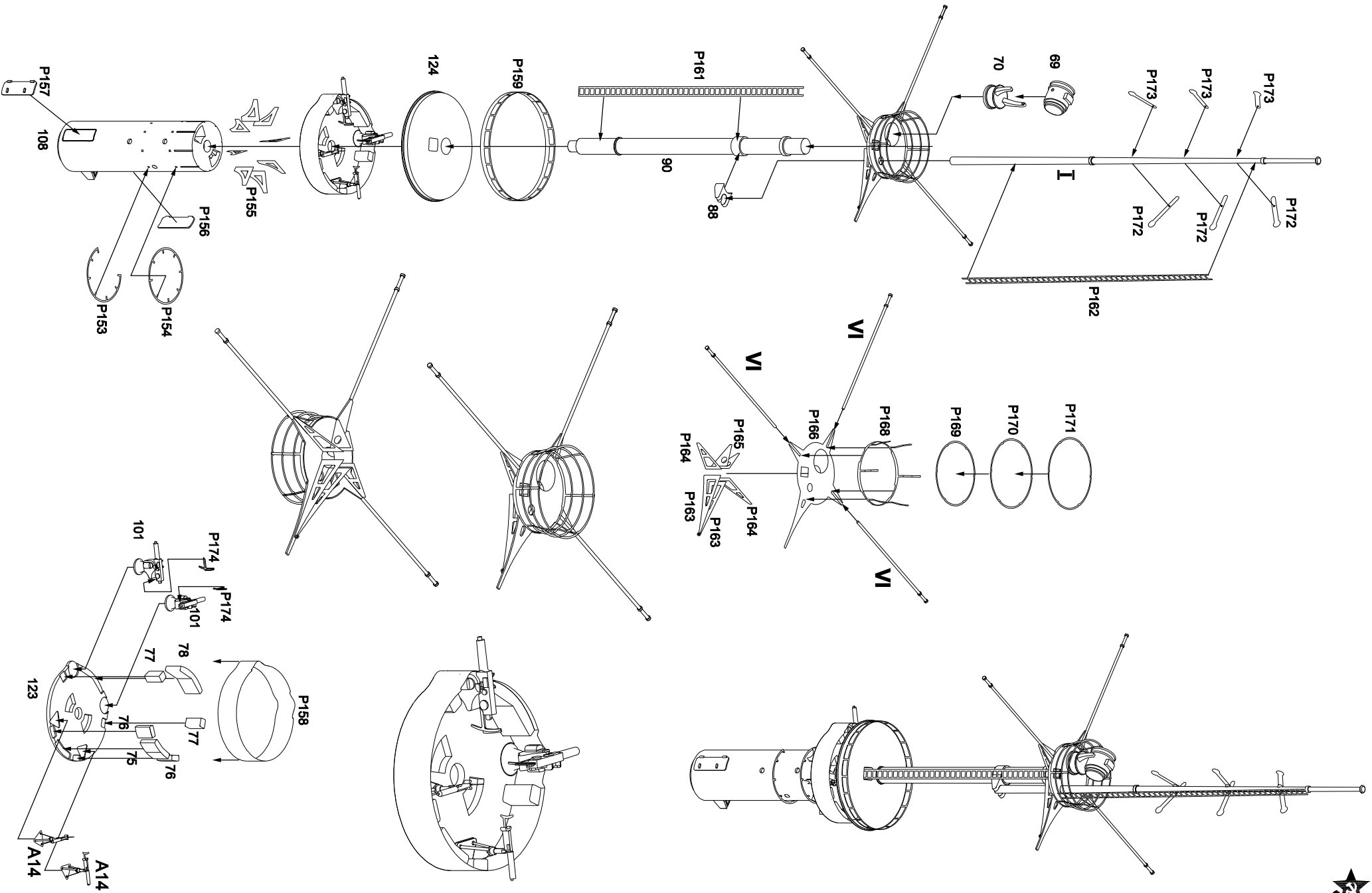


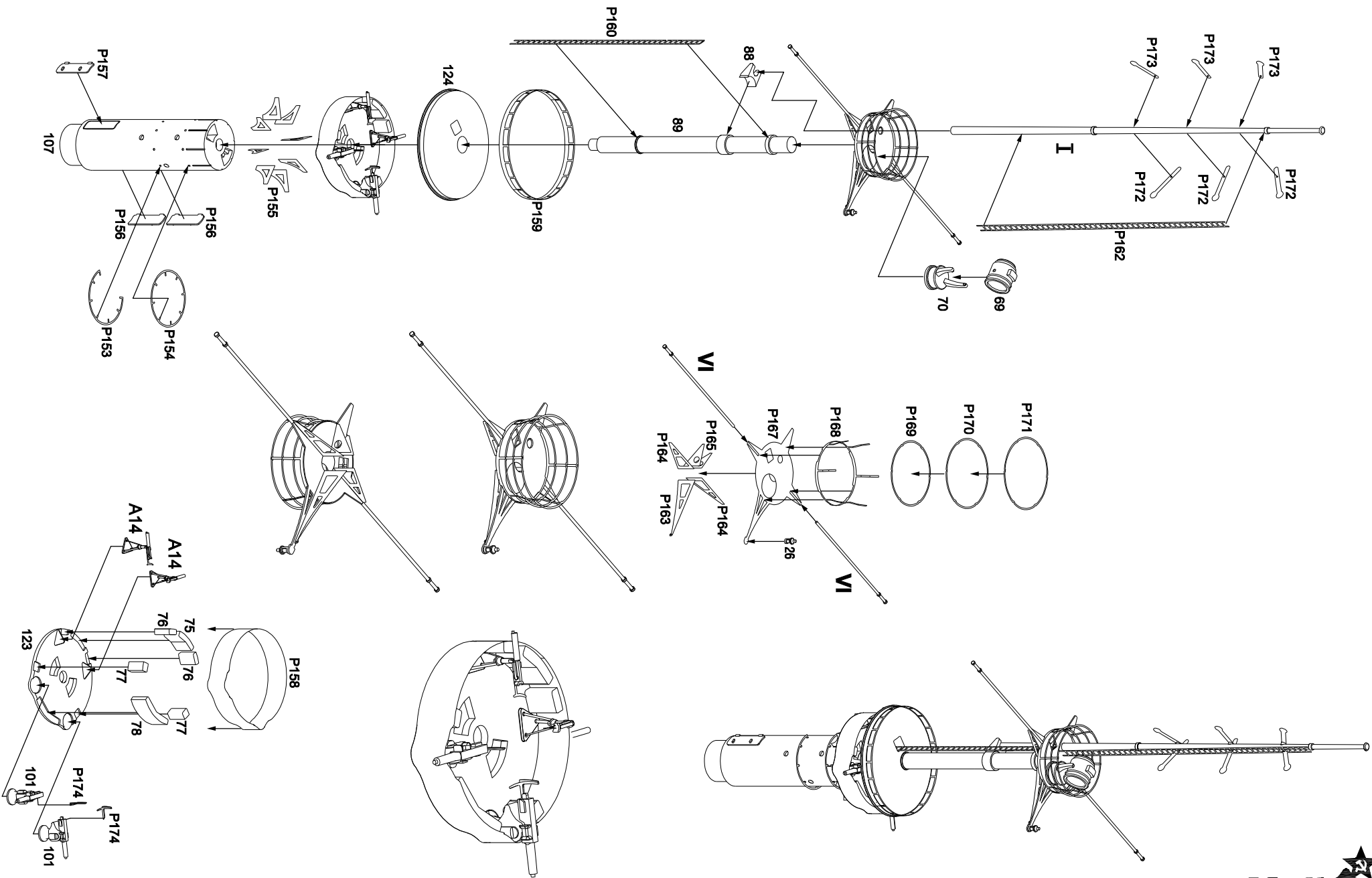
A19



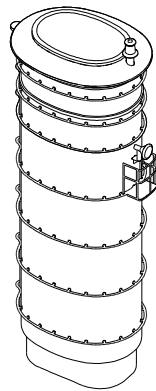
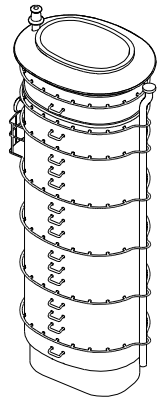
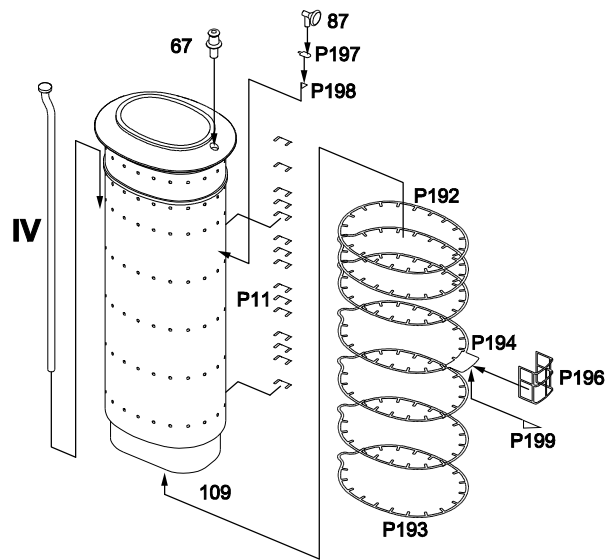
A20



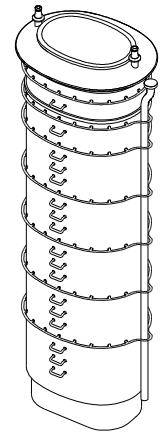
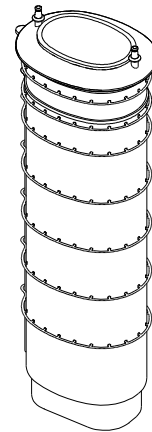
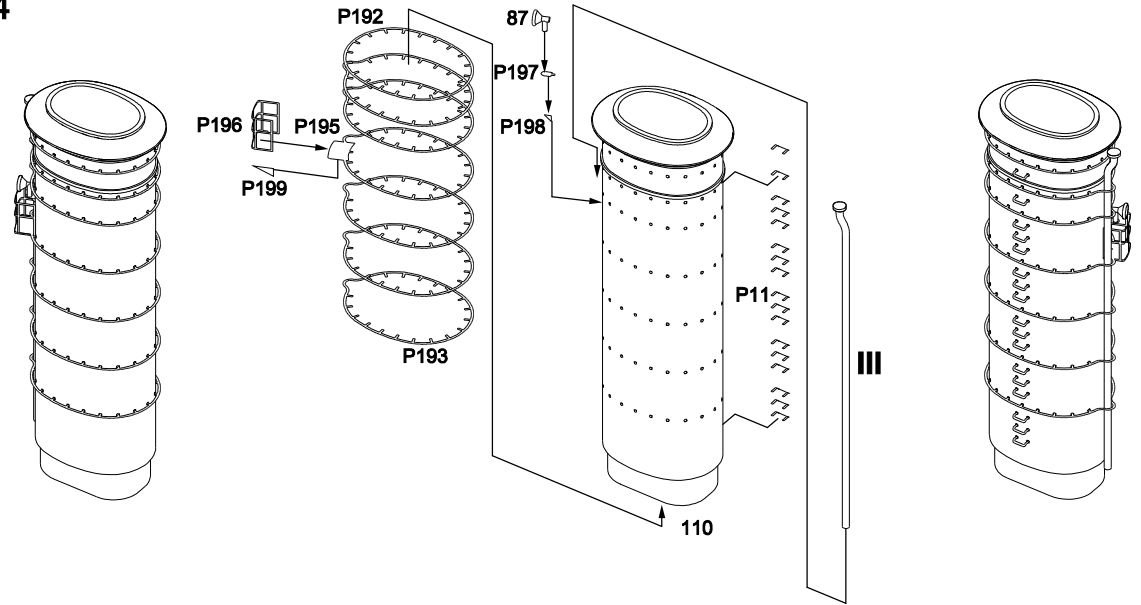




A23



A24



A25

